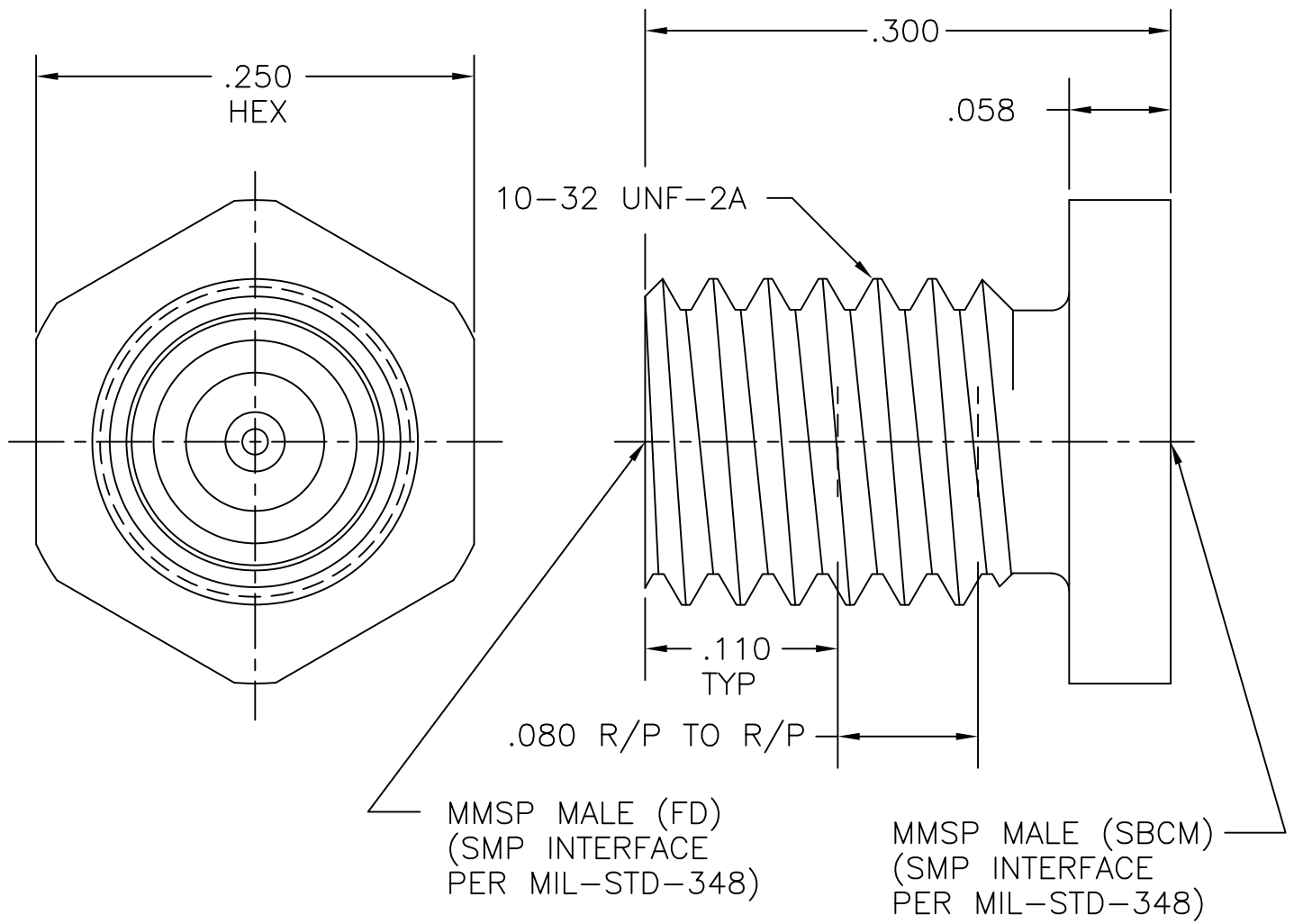


COMPONENT	MATERIAL AND FINISH	
BODY, BUSHING	303 CRES, ASTM A582	PASSIVATE, AMS-QQ-P-35
INSULATORS	PTFE, ASTM D1710, TYPE 1, GRADE 1, CLASS A	
CONTACT	BeCu, ASTM B196 UNS C17300	GOLD PLATE, MIL-G-45204, TYPE 1, GRADE C, CLASS 1

PART NO. MMSP-6140

OUTLINE DRAWING



MICRO-MODE PRODUCTS, INC.
The Reliable Connection to the Future

El Cajon, CA 92020
ph 619.449.3844
www.micromode.com

CAGE CODE
15907

ASSY PROCEDURE: N/A	MMSP (M) FULL DETENT TO MMSP (M) SMOOTH BORE CATCHERS MITT ADAPTOR	PART NO. MMSP-6140	REVISION D
LOCATOR TOOL: N/A			
SHEET 1 OF 1	OL6140 6-27-18	MP NH	