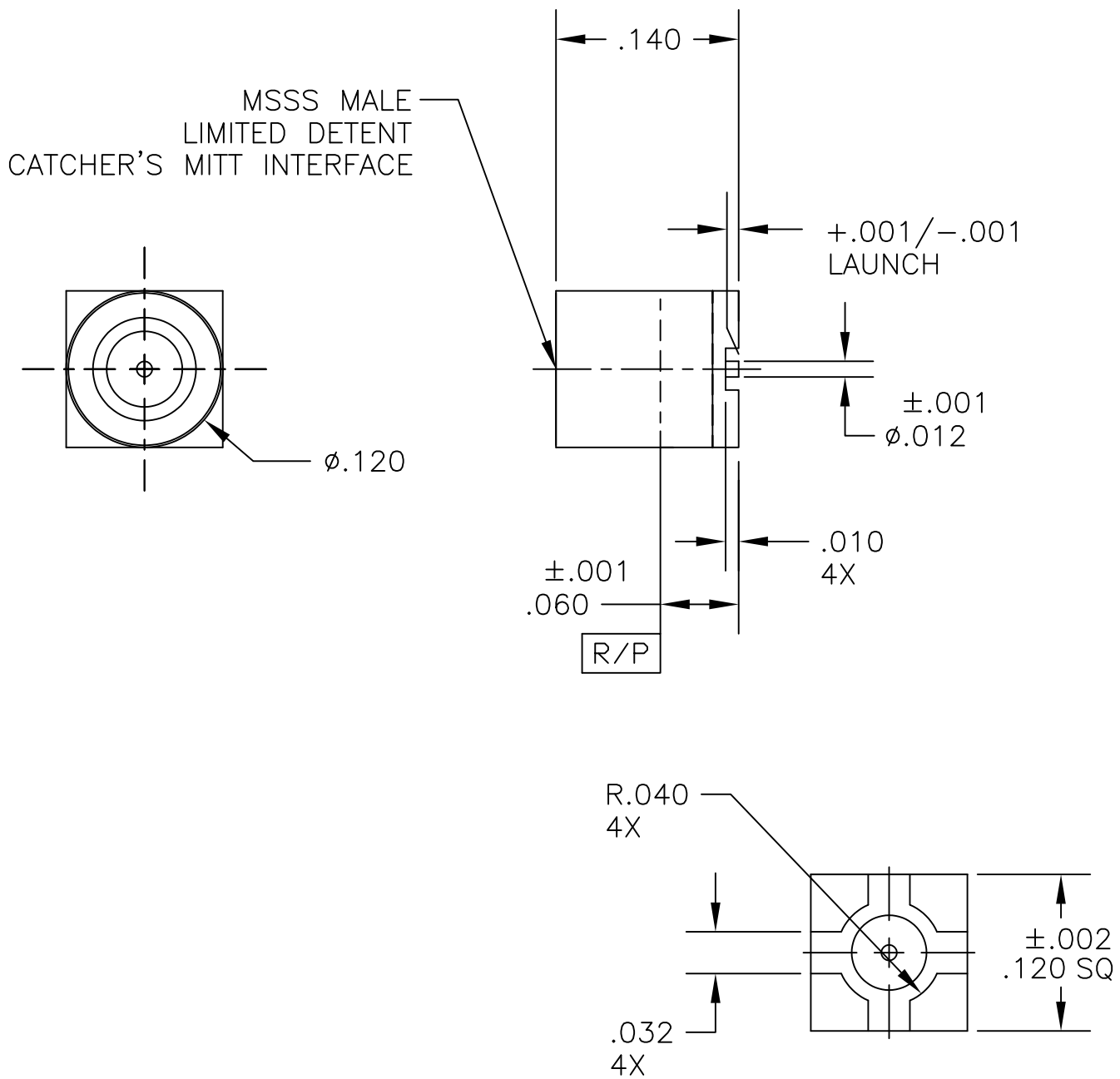


COMPONENT	MATERIAL AND FINISH	
BODY, PIN	KOVAR PER MIL-I-23011 ASTM F-15	GOLD PLATE, MIL-G-45204, TYPE 1, GRADE C, CLASS 1
GLASS	CORNING #7070 OR EQUIVALENT	

PART NO. MSSS-5941

OUTLINE DRAWING



MICRO-MODE PRODUCTS, INC.
The Reliable Connection to the Future

El Cajon, CA 92020
ph 619.449.3844
www.micromode.com

CAGE CODE
15907

ASSY PROCEDURES: N/A

INSERTION/EXTRACTION TOOL: N/A

MSSS (M) LDCM SURFACE MOUNT

PART NO.

MSSS-5941

REVISION

B

SHEET 1 OF 1 | OL5941 4-22-03 RF EB