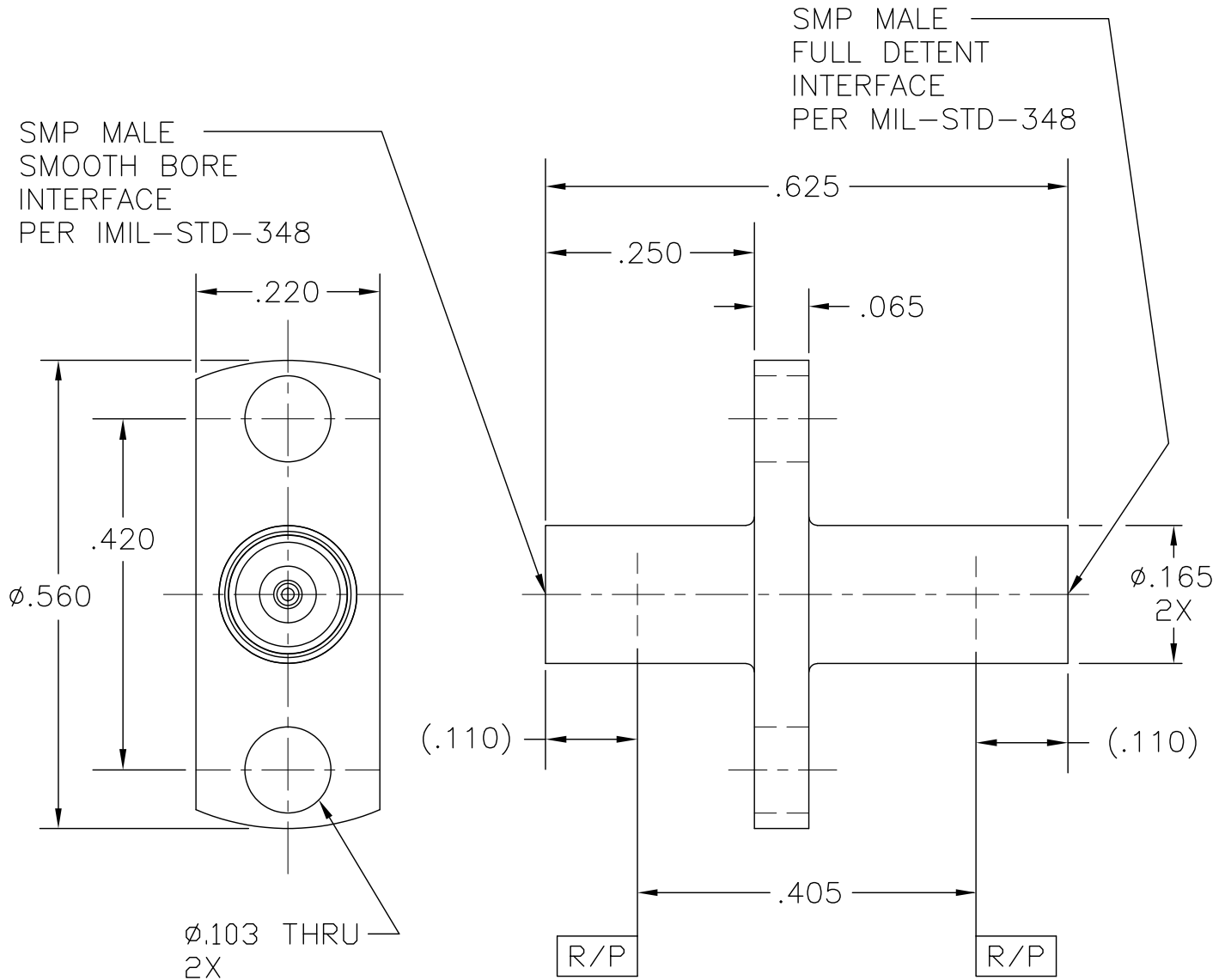


COMPONENT	MATERIAL AND FINISH	
BODY	303 CRES, ASTM A582	PASSIVATE, AMS-QQ-P-35
INSULATOR	PTFE, ASTM D1710, TYPE I, GRADE 1, CLASS A	
CONTACT	BeCu, ASTM B196, UNS C17300	GOLD PLATE, MIL-G-45204, TYPE 1, GRADE C, CLASS 1

PART NO. MADDP-5356

OUTLINE DRAWING



MICRO-MODE PRODUCTS, INC.
The Reliable Connection to the Future

El Cajon, CA 92020
 ph 619.449.3844
 www.micromode.com

CAGE CODE
 15907

ASSY PROCEDURES: N/A

INSERTION/EXTRACTION TOOL: N/A

MMSP (SB) TO
 MMSP (FD) ADAPTER

PART NO.

MMSP-5356

REVISION

C

SHEET 1 OF 1 OL5356 6-19-02 MP RF