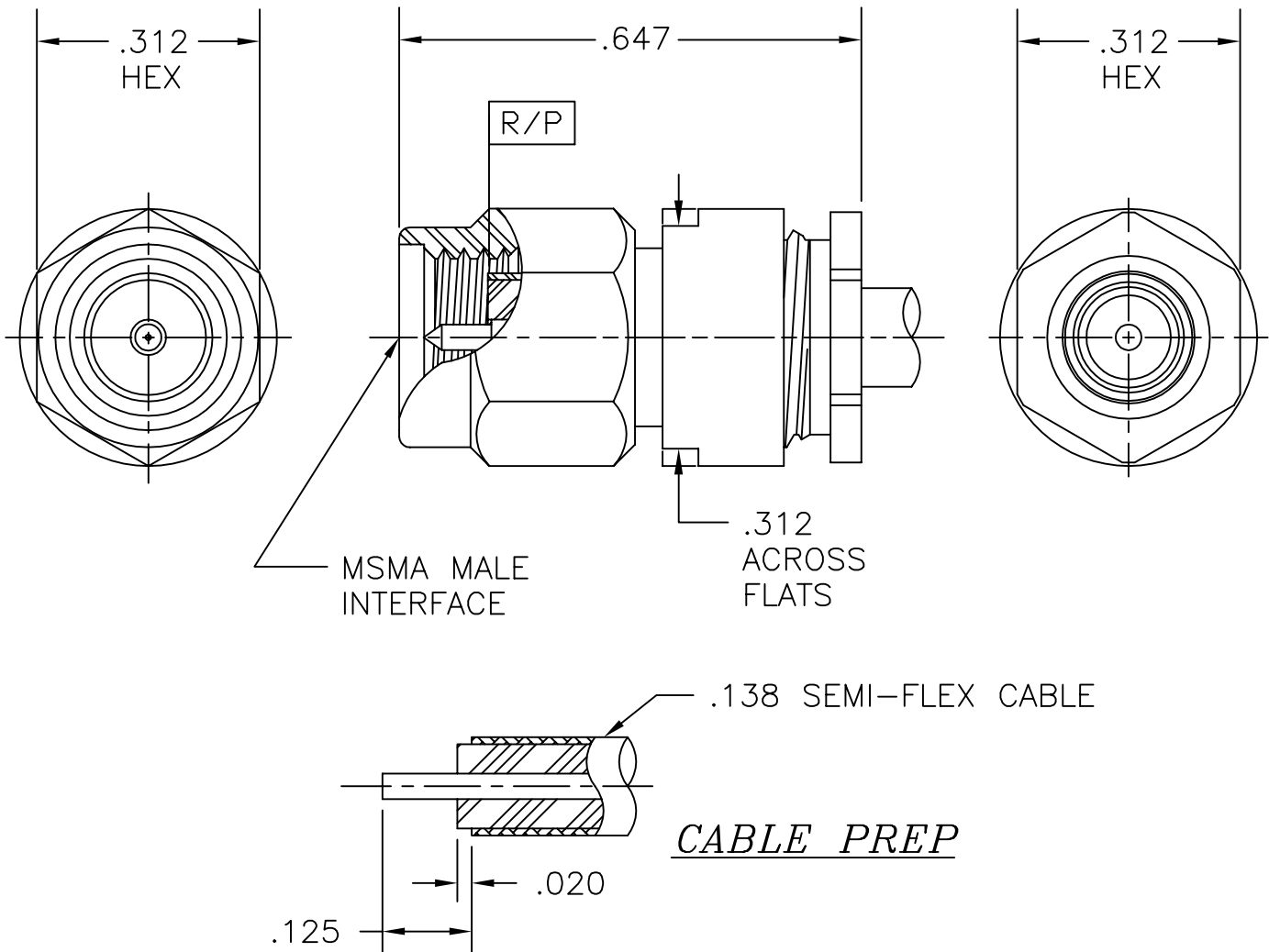


COMPONENT	MATERIAL AND FINISH	
BODY, CLAMP NUT, COUPLING NUT	303 CRES, ASTM A582	PASSIVATE, AMS-QQ-P-35
INSULATOR	PTFE, ASTM D1710, TYPE I, GRADE 1, CLASS A	
CONTACT	BeCu, ASTM B196, UNS C17300	GOLD PLATE, MIL-G-45204, TYPE 1, GRADE C, CLASS 1
LOCK-RING	BeCu, ASTM B196, UNS C17300	
SOLDER SLEEVE	BRASS, ASTM B16, UNS C36000	SILVER PLATE, QQ-S-365, TYPE 2, GRADE A
GASKET	SILICONE RUBBER ZZ-R-765	

PART NO. MSMA-5346



OUTLINE DRAWING



MICRO-MODE PRODUCTS, INC.
The Reliable Connection to the Future

El Cajon, CA 92020
ph 619.449.3844
www.micromode.com

CAGE CODE
15907

ASSY PROCEDURES: MMAP-5593

INSERTION/EXTRACTION TOOL: N/A

SMA PLUG,
.138 SEMI-FLEX CABLE

PART NO.

MSMA-5346

REVISION

—

SHEET 1 OF 1 OL5346 4-29-03 RF EB