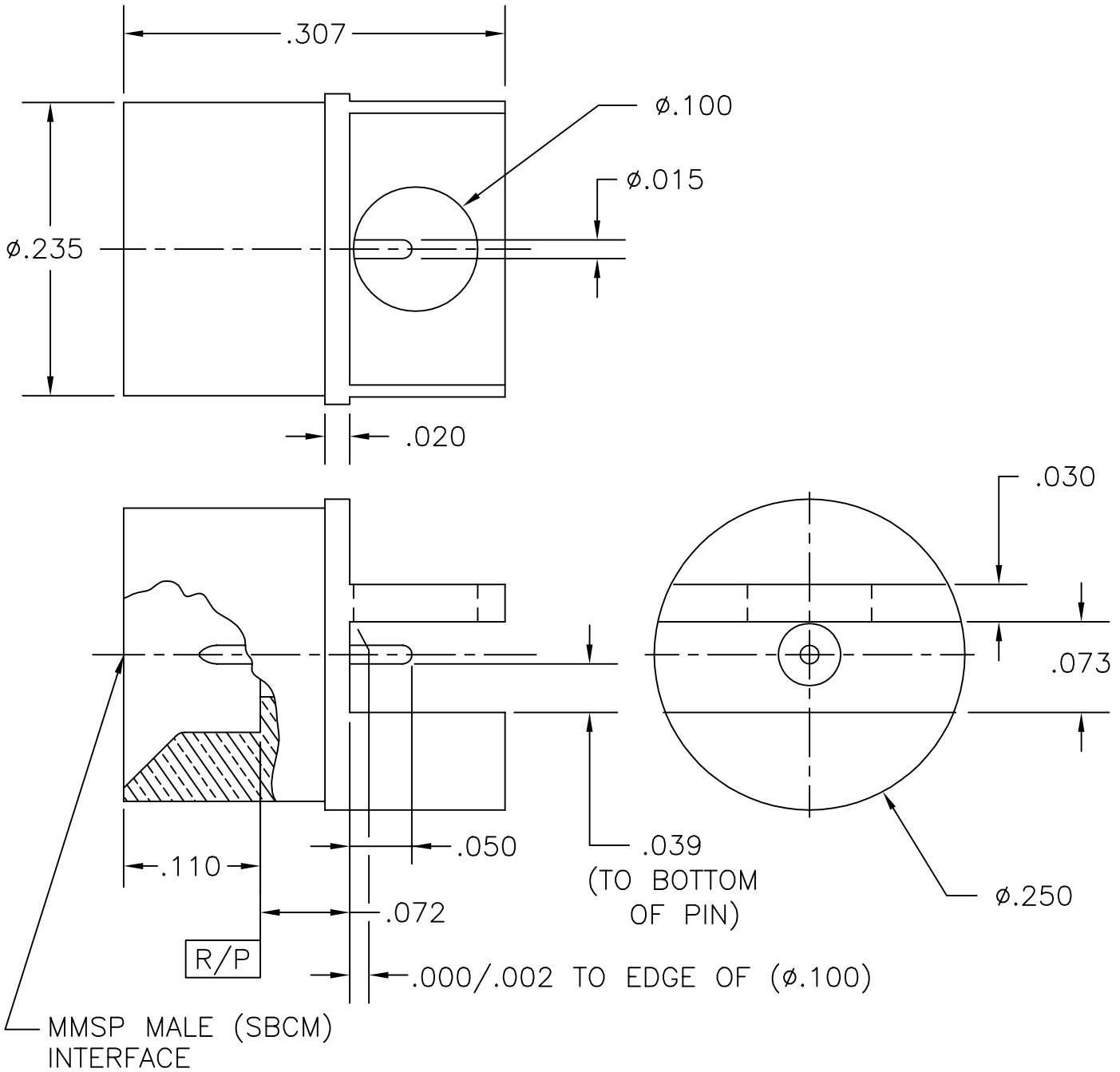


COMPONENT	MATERIAL AND FINISH	
BODY, CONTACT & BUSHING	BeCu, ASTM B196, UNS C17300	GOLD PLATE, MIL-G-45204, TYPE 1, GRADE C, CLASS 1
INSULATOR	PTFE, ASTM D1710, TYPE I, GRADE 1, CLASS A	

PART NO. MMSP-4929

OUTLINE DRAWING



MICRO-MODE PRODUCTS, INC.
The Reliable Connection to the Future

El Cajon, CA 92020
ph 619.449.3844
www.micromode.com

CAGE CODE
15907

ASSY PROCEDURES: N/A

INSERTION/EXTRACTION TOOL: N/A

MMSP, MALE, SMOOTH BORE CATCHER'S MITT,
EDGE LAUNCH

PART NO.

MMSP-4929

REVISION

A

SHEET 1 OF 1 OL4929 1-29-02 MP