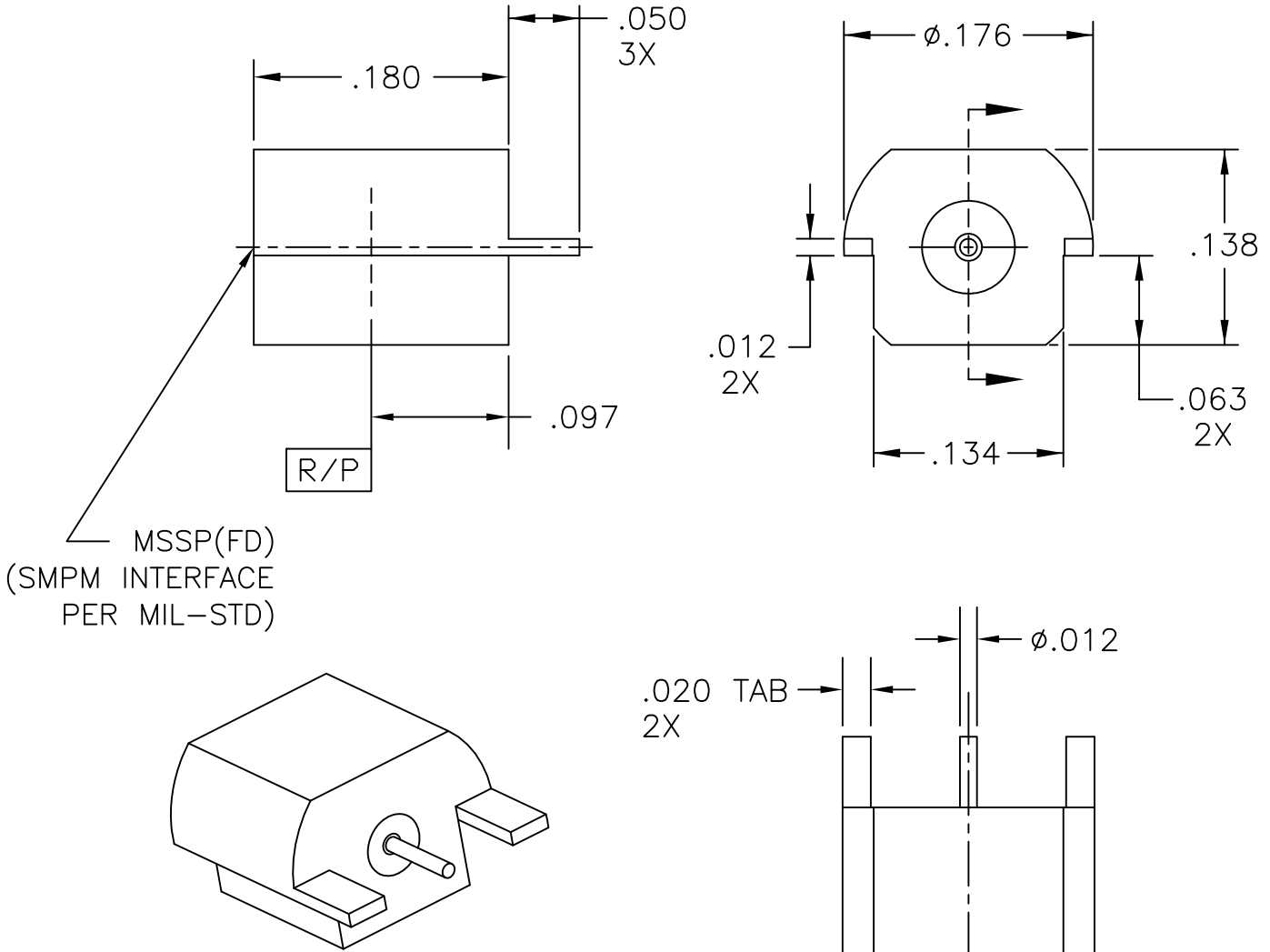



COMPONENT	MATERIAL AND FINISH	
HOUSING, CONTACT	BeCu, ASTM B196, UNS C17300	GOLD PLATE, MIL-G-45204, TYPE 1, GRADE C, CLASS 1
INSULATOR	PTFE, ASTM D1710, TYPE I, GRADE 1, CLASS A	

PART NO. MSSP-4848

OUTLINE DRAWING



- 1) OPERATING FREQUENCY - DC TO 65 GHz
- 2) VSWR - 1.10:1 MAXIMUM DC TO 30 GHz  
1.15:1 MAXIMUM 30 TO 45 GHz  
1.22:1 MAXIMUM 45 TO 65 GHz

 <b>MICRO-MODE PRODUCTS, INC.</b> <i>The Reliable Connection to the Future</i>	El Cajon, CA 92020 ph 619.449.3844 www.micromode.com	CAGE CODE 15907
	ASSY PROCEDURE: MMAP-12503 LOCATOR TOOL: N/A	
MSSP, MALE, FULL DETENT, EDGE LAUNCH		PART NO. MSSP-4848 REVISION B
SHEET 1 OF 1   OL4848 12-17-01 RF MD		