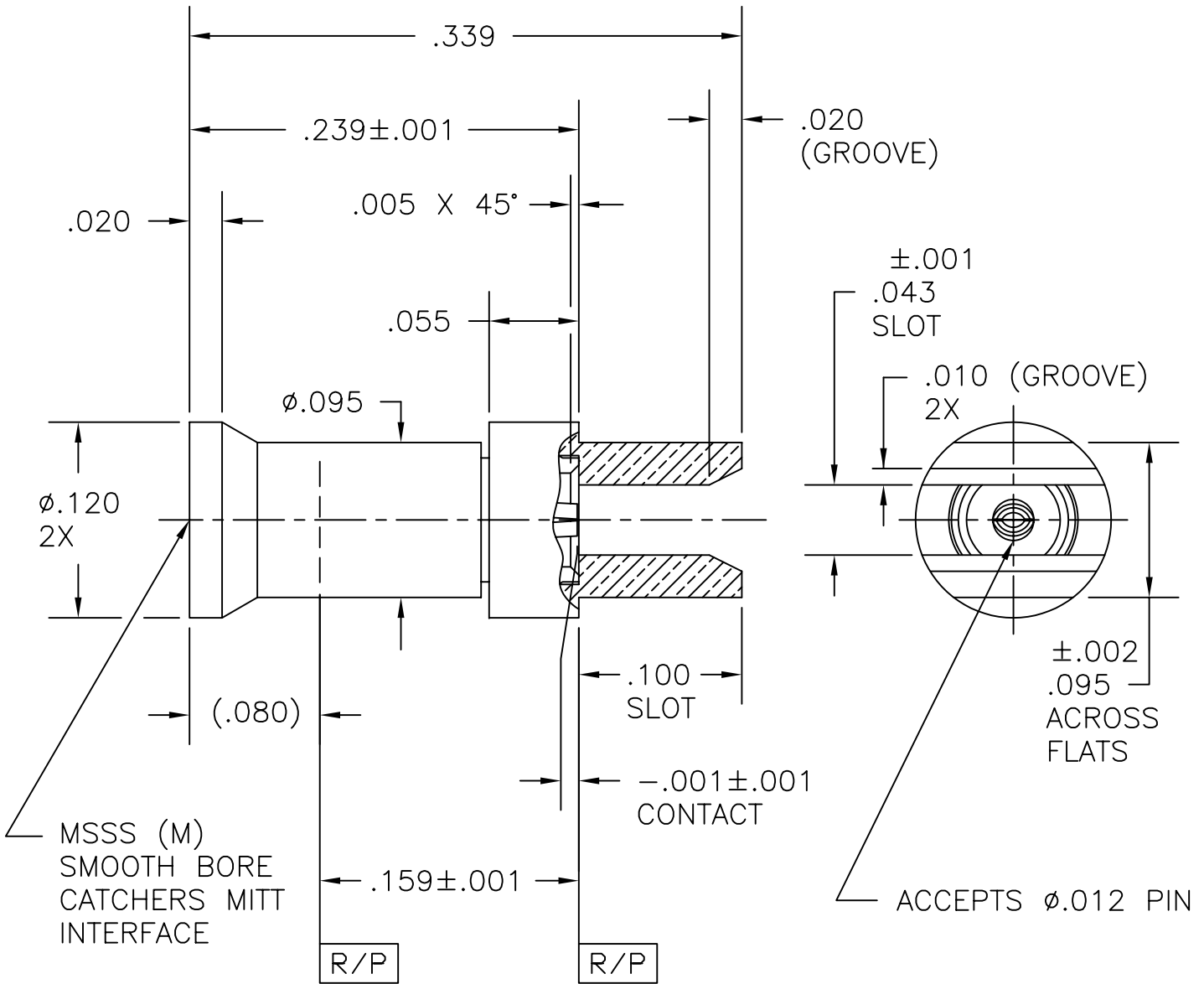


COMPONENT	MATERIAL AND FINISH	
LAUNCH & CONTACT	BeCu, ASTM B196, UNS C17300	GOLD PLATE, MIL-G-45204, TYPE I, GRADE C, CLASS 1
INSULATOR	PTFE, ASTM D1710, TYPE I, GRADE 1, CLASS A	
HOUSING	303 CRES, ASTM A582	PASSIVATE, AMS-QQ-P-35

PART NO. MSSS-4745

OUTLINE DRAWING



MICRO-MODE PRODUCTS, INC.
The Reliable Connection to the Future

El Cajon, CA 92020
ph 619.449.3844
www.micromode.com

CAGE CODE
15907

ASSY PROCEDURE:

LOCATOR TOOL:

MSSS, MALE, SB CATCHERS MITT
EDGE LAUNCH TO ϕ .012 C/C

PART NO.

REVISION

SHEET 1 OF 1 OL4745 8-10-01 DR MP

MSSS-4745

A