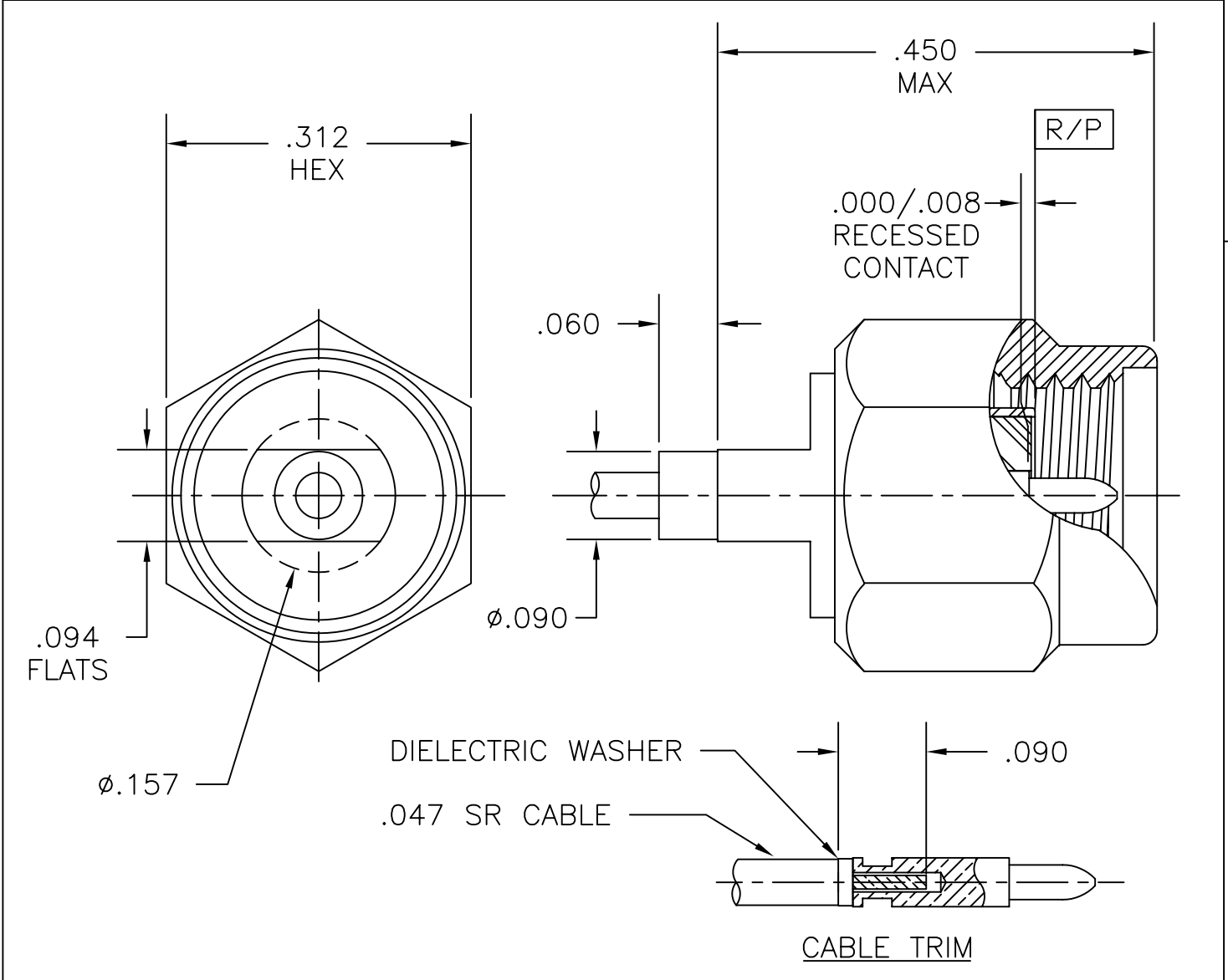


COMPONENT	MATERIAL AND FINISH	
BODY	303 CRES, ASTM A582	GOLD PLATE, MIL-G-45204, TYPE 1, GRADE C, CLASS 1
INSULATOR, WASHER	PTFE, ASTM D1710, TYPE I, GRADE 1, CLASS A	
NUT	303 CRES, ASTM A582	PASSIVATE, AMS-QQ-P-35
CONTACT	BeCu, ASTM B196, UNS C17300	GOLD PLATE, MIL-G-45204, TYPE 1, GRADE C, CLASS 1
GASKET	SILICONE RUBBER, ZZ-R-765	

PART NO. MSMA-3082

OUTLINE DRAWING



MICRO-MODE PRODUCTS, INC.
The Reliable Connection to the Future

El Cajon, CA 92020
 ph 619.449.3844
 www.micromode.com

CAGE CODE
 15907

ASSY PROCEDURES: MMAP-3083		MSMA PLUG, .047 SR CABLE	REVISION A
TOOL: N/A			
SHEET 1 OF 1	OL3082 8-6-98	PART NO. MSMA-3082	
	MM EB		