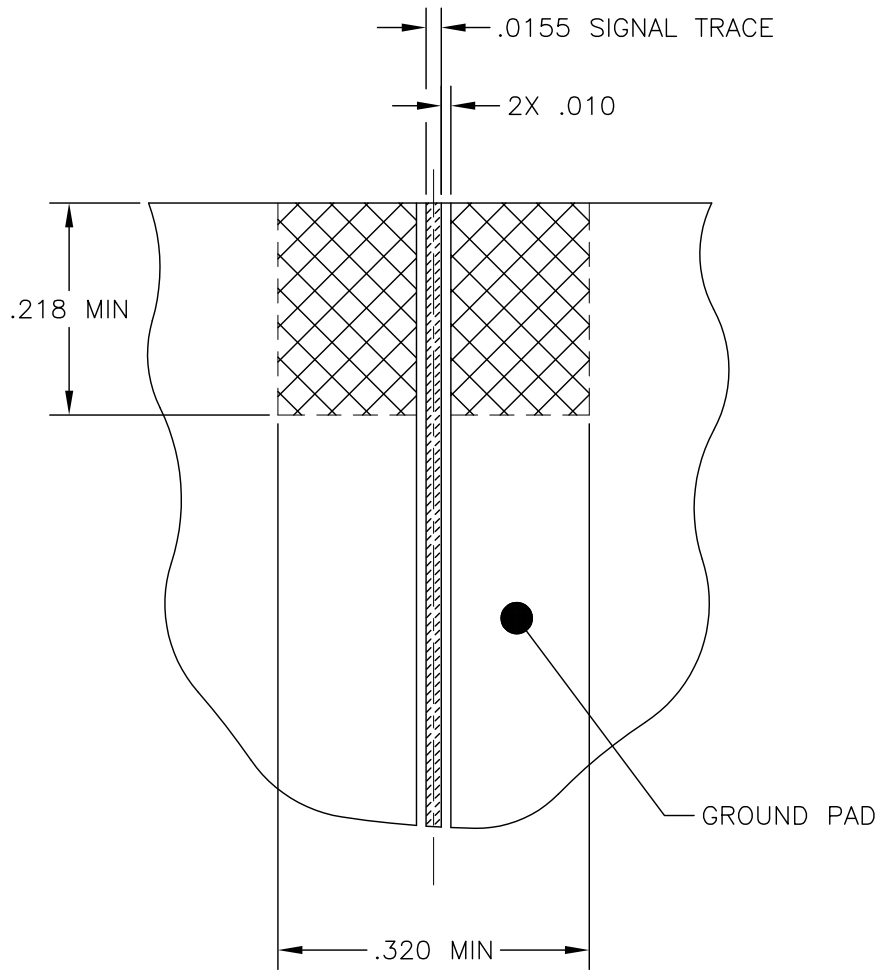
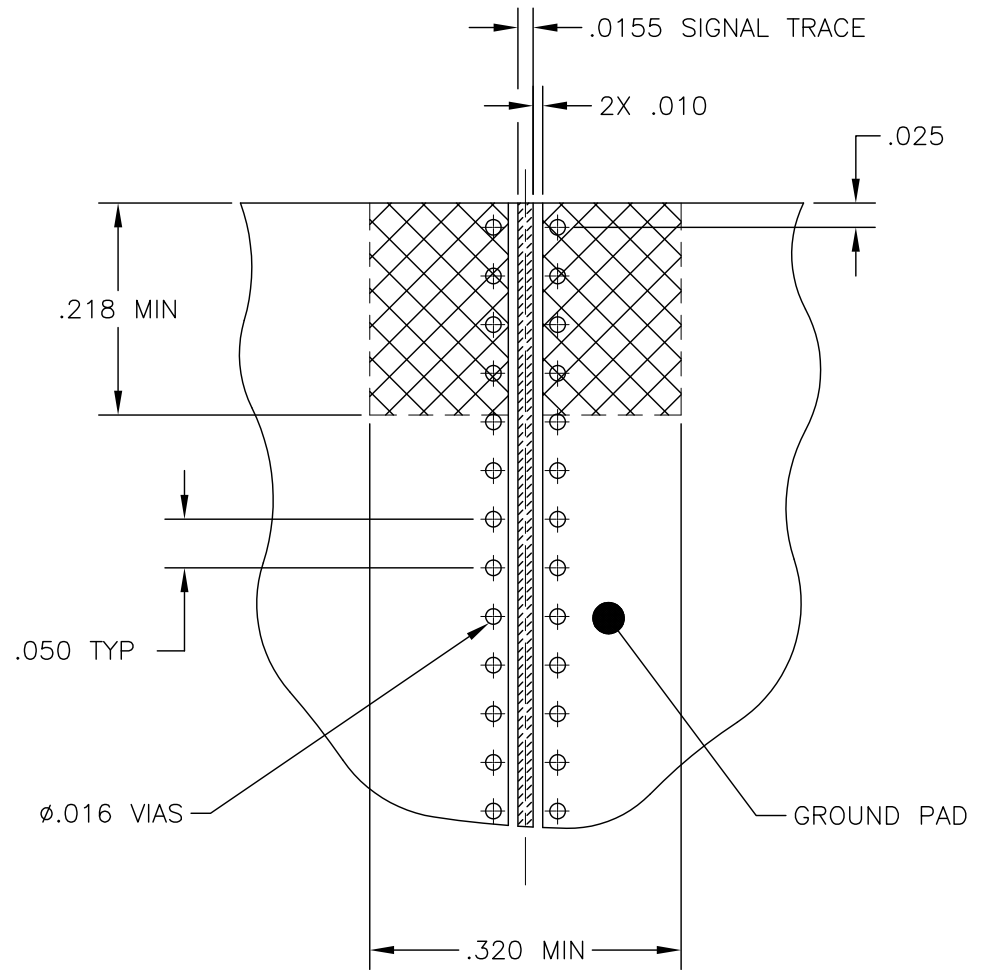


OUTLINE DRAWING



OPTION 1



OPTION 2

OUTLINE DRAWING



MICRO-MODE PRODUCTS, INC.
The Reliable Connection to the Future

El Cajon, CA 92020
ph 619.449.3844
www.micromode.com

CAGE CODE
15907

ASSY PROCEDURES: N/A

INSERTION/EXTRACTION TOOL: N/A

CIRCUIT BOARD FOOTPRINT
FOR MSMA-13557

PART NO.

MMA-15706

REVISION

—

SHEET 1 OF 1

1-20-17

MP