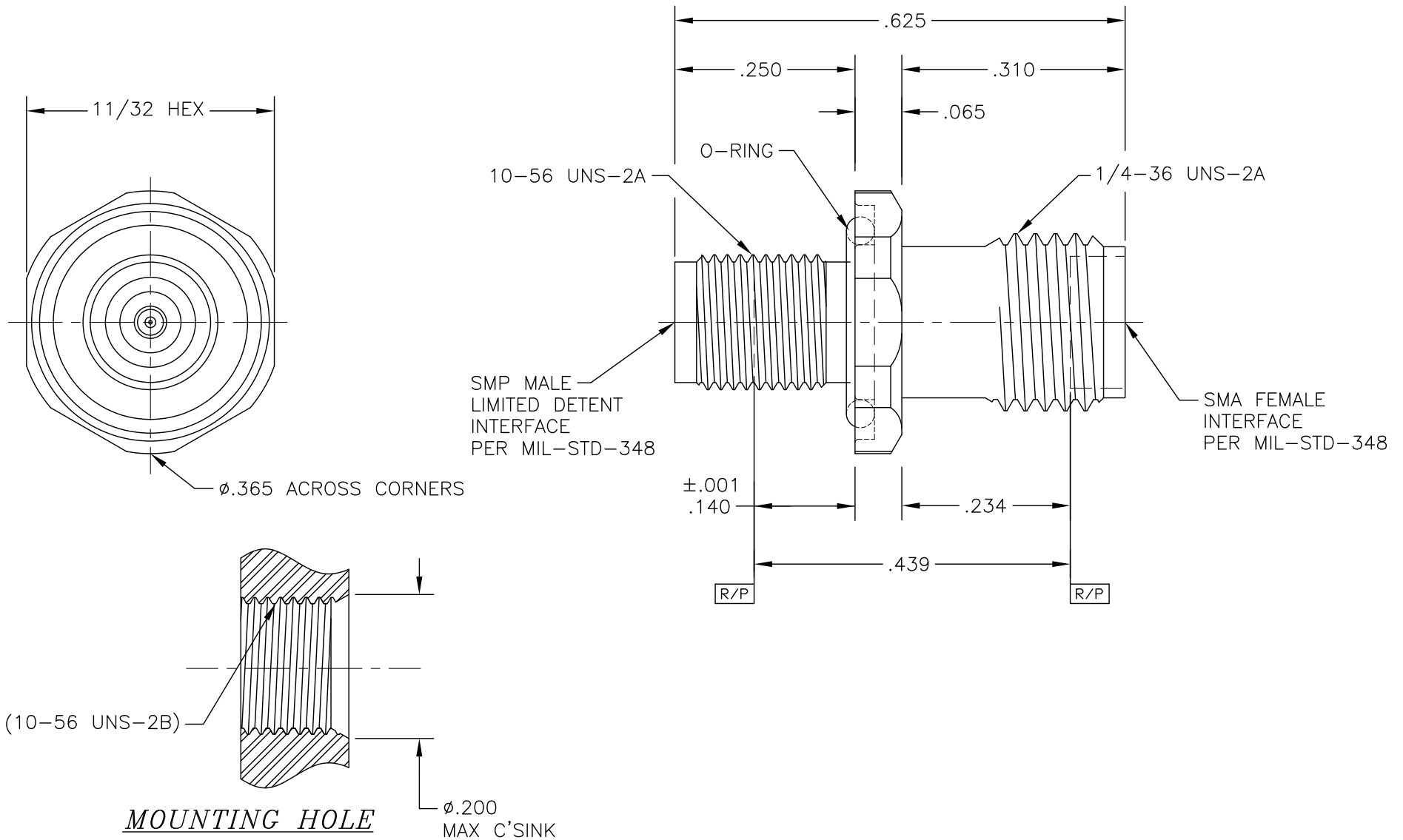


# OUTLINE DRAWING



COMPONENT	MATERIAL & FINISH	<b>MICRO-MODE PRODUCTS, INC.</b> <i>The Reliable Connection to the Future</i>	El Cajon, CA 92020 ph 619.449.3844 www.micromode.com	CAGE CODE 15907
CONTACT	BeCu, ASTM B196, UNS C17300	GOLD PLATE, MIL-DTL-45204, TYPE 1, GRADE C, CLASS 1	ASSY PROCEDURES: N/A SMP LD TO SMA F ADAPTER THREAD-IN, O-RING	
INSULATOR	PTFE, ASTM D1710, TYPE I, GRADE 1, CLASS A			
BODY	303 CRES, ASTM A582	PASSIVATE, AMS-QQ-P-35	INSERTION/EXTRACTION TOOL: N/A PART NO.	
O-RING	SILICONE RUBBER		SHEET 1 OF 1	8-20-14 MP
			MADP-13540	REVISION B

OUTLINE DRAWING