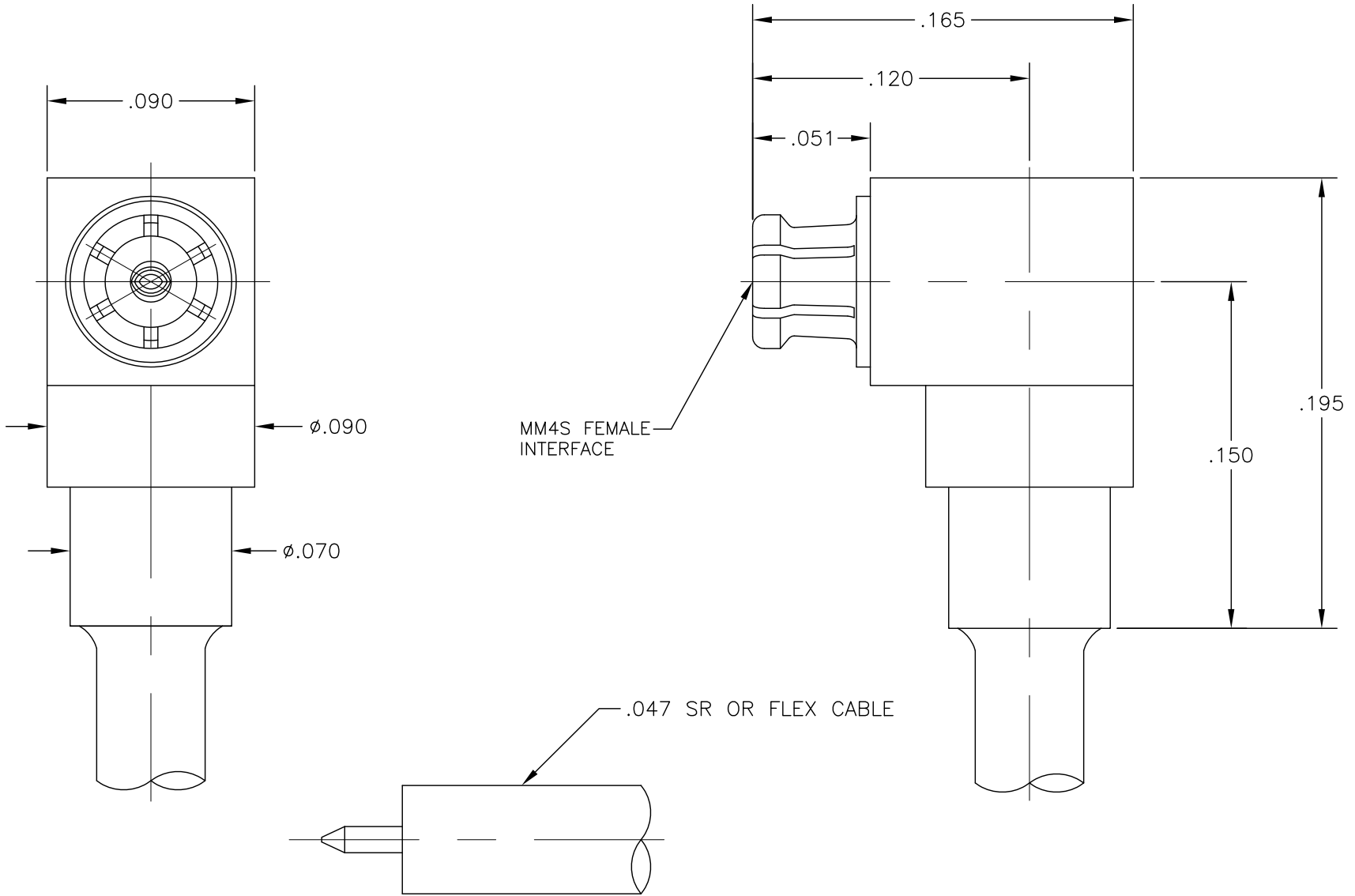



OUTLINE DRAWING



COMPONENT	MATERIAL & FINISH	 <b>MICRO-MODE PRODUCTS, INC.</b> <i>The Reliable Connection to the Future</i>		El Cajon, CA 92020 ph 619.449.3844 www.micromode.com	CAGE CODE 15907
FEMALE BODY & CONTACT	BeCu, ASTM B196, UNS C17300	GOLD PLATE, MIL-DTL-45204, TYPE 1, GRADE C, CLASS 1		MM4S FEMALE, RIGHT ANGLE TO .047 FLEX OR SR CABLE	
INSULATOR	PTFE, ASTM D1710, TYPE I, GRADE 1, CLASS A	ASSY PROCEDURES: MMAP-13430 INSERTION/EXTRACTION TOOL: MMTL-8827			
BODY	303 CRES, ASTM A582	PASSIVATE, AMS-QQ-P-35		REVISION 01	
		SHEET 1 OF 1   OL13427 6-27-14 . MP			

OUTLINE DRAWING