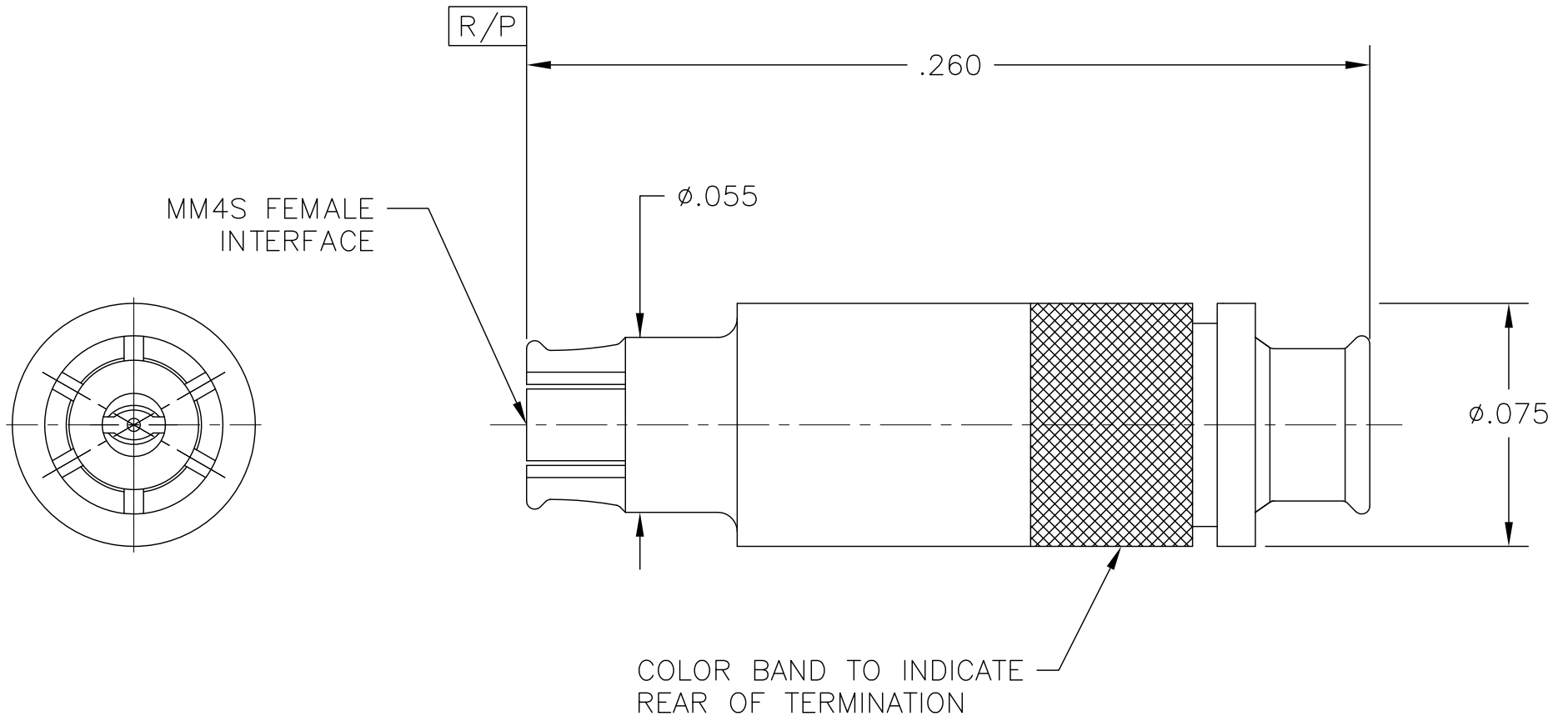



OUTLINE DRAWING



COMPONENT	MATERIAL & FINISH	 MICRO-MODE PRODUCTS, INC. <i>The Reliable Connection to the Future</i>	El Cajon, CA 92020 ph 619.449.3844 www.micromode.com	CAGE CODE 15907
BODY, CONTACT & ENDCAP	BeCu, ASTM B196, UNS C17300 GOLD PLATE, MIL-G-45204, TYPE 1, GRADE C, CLASS 1		ASSY PROCEDURES: N/A	MM4S FEMALE 50-OHM TERMINATION
INSULATOR	PTFE, ASTM D1710, TYPE 1, GRADE 1, CLASS A	INSERTION/EXTRACTION TOOL: MMTL-5306	PART NO. MM4S-13420	
RESISTOR CHIP	ALUMINA	SHEET 1 OF 1 OL13420 6-25-14 . MP	REVISION 01	

OUTLINE DRAWING