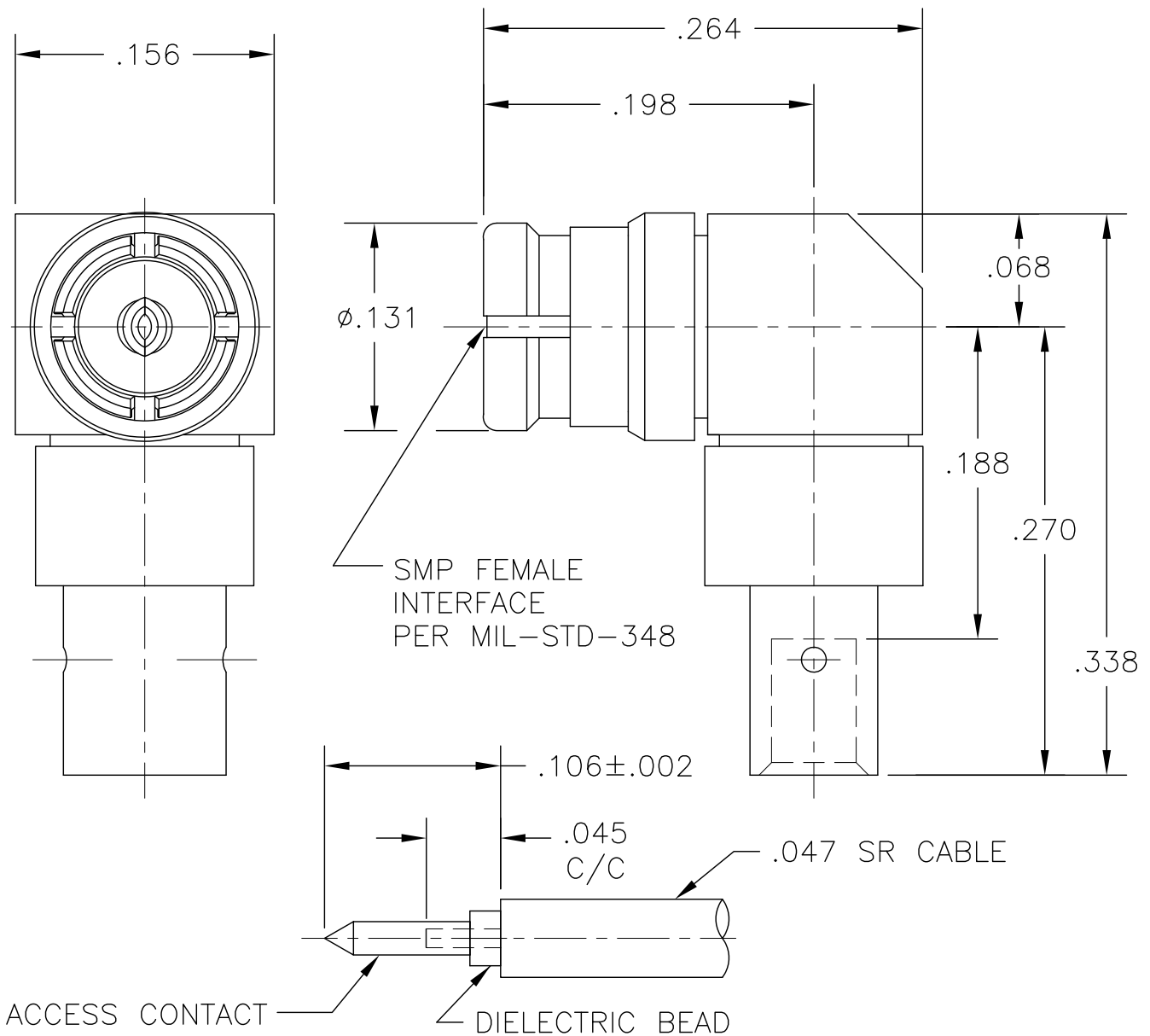


COMPONENT	MATERIAL AND FINISH	
BODY & CONTACTS, ANTI-ROCK RING, EMI RING & CABLE ADAPTER	BeCu, ASTM B196, UNS C17300	GOLD PLATE, MIL-G-45204, TYPE 1, GRADE C, CLASS 1
INSULATOR	PTFE, ASTM D1710, TYPE I, GRADE 1, CLASS A	
DIELECTRIC BEAD	ULTEM 1000, ASTM D5205	

PART NO. MMSP-11511

OUTLINE DRAWING



MICRO-MODE PRODUCTS, INC.  
*The Reliable Connection to the Future*

El Cajon, CA 92020  
ph 619.449.3844  
www.micromode.com

CAGE CODE  
15907

ASSY PROCEDURES: MMAP-11580

INSERTION/EXTRACTION TOOL: MMTL-2683

SMP, FEMALE, SWEEPED RIGHT  
ANGLE TO .047 SR CABLE

PART NO.

MMSP-11511

REVISION

—

SHEET 1 OF 1 OL11511 10-12-11 MD .