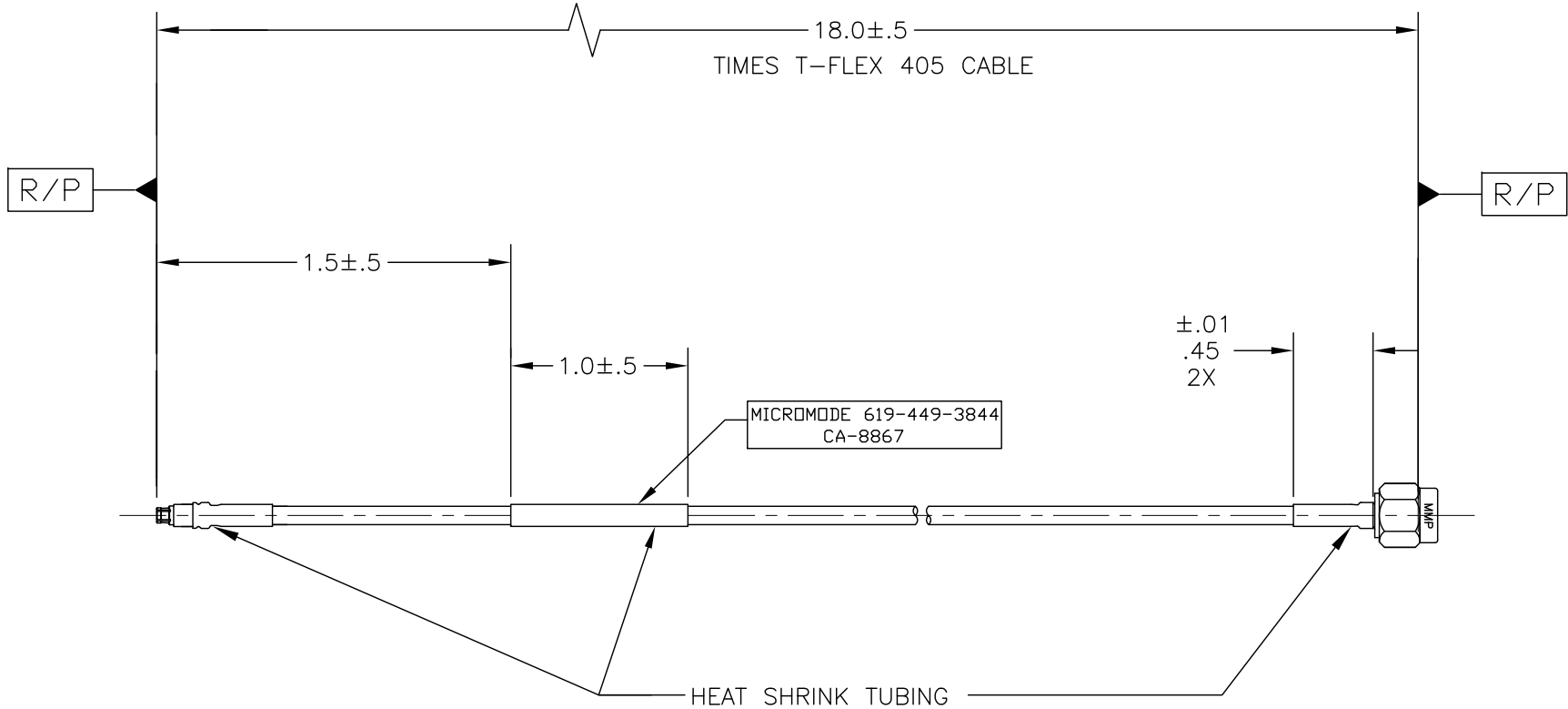


MSSP-5728  
MSSP FEMALE  
(SMPM INTERFACE  
PER MIL-STD-348)

1001-2-0800-000 XG  
SMA PLUG  
INTERFACE



COMPONENT	MATERIAL & FINISH
MSSP BODY, CONTACTS	BeCu, ASTM B196, UNS C17300 GOLD PLATE, MIL-G-45204, TYPE 1, GRADE C, CLASS 1
INSULATORS	PTFE, ASTM D1710, TYPE I, GRADE 1, CL A
BEAD	ULTEM 1000, ASTM D5205
SMA BODY	303 CRES, ASTM A582 GOLD PLATE, MIL-G-45204, TYPE 1, GRADE C, CLASS 1
SMA COUPLING NUT	303 CRES, ASTM A582 PASSIVATE, AMS-QQ-P-35
HEAT SHRINK TUBING	POLYOLEFIN MIL-DTL-23053/5 CL 1, BLK OR WH
LOCKRING	BeCu, ASTM B196, UNS C17300
GASKET	SILICONE RUBBER, ZZ-R-765C



MICRO-MODE PRODUCTS, INC.  
*The Reliable Connection to the Future*

El Cajon, CA 92020  
ph 619.449.3844  
www.micromode.com

CAGE CODE  
15907

ASSY PROCEDURES: N/A

INSERTION/EXTRACTION TOOL: N/A

MSSP FEMALE TO SMA PLUG  
T-FLEX 405, 18.0 IN

PART NO.

CA-8867

REVISION

B

SHEET 1 OF 1

OL8867

2-6-07

MD EB

PART NO. CA-8867

OUTLINE DRAWING