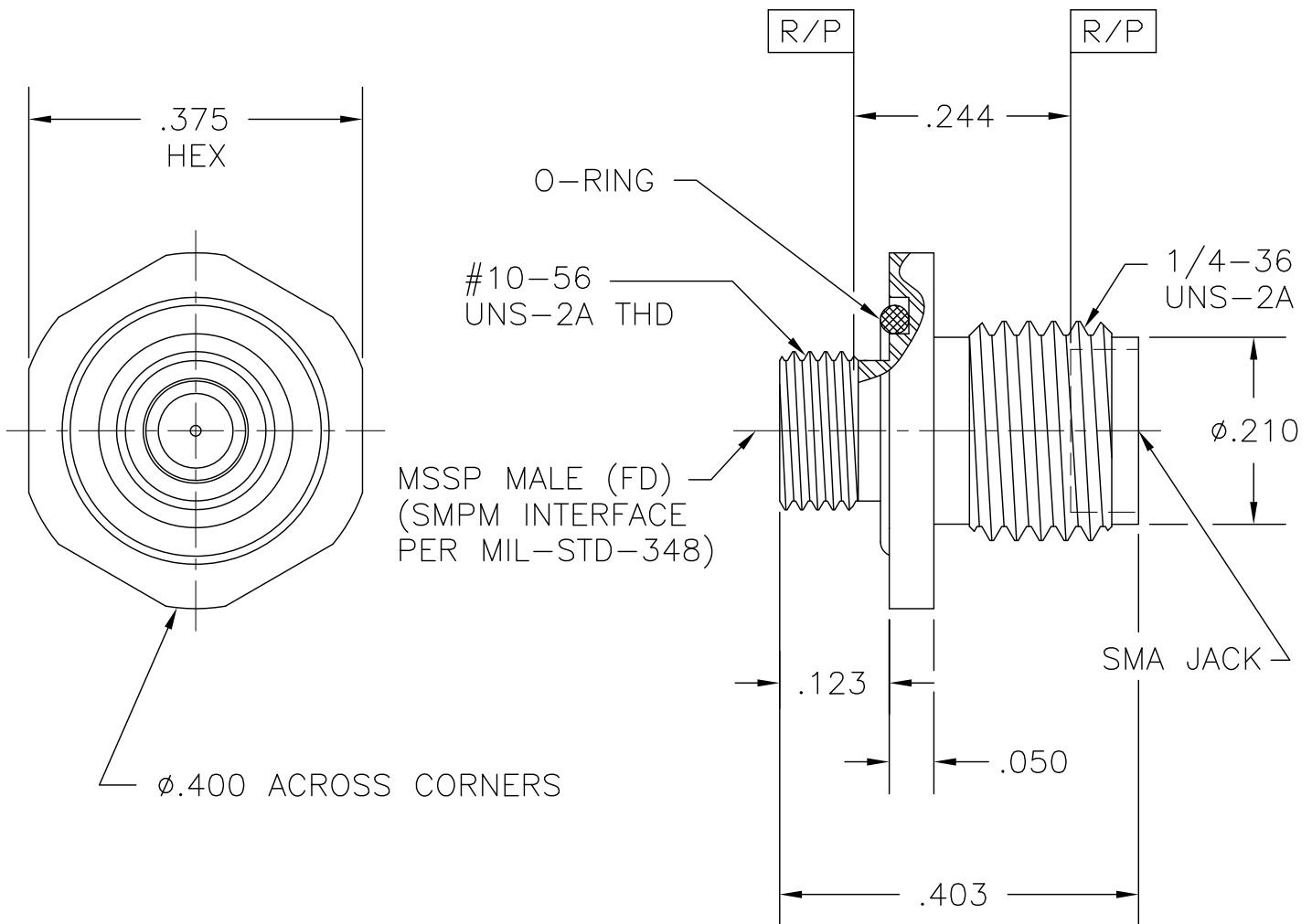


COMPONENT	MATERIAL AND FINISH	
HOUSING	303 CRES, ASTM A582	PASSIVATE, QQ-P-35
CENTER CONTACT	BeCu, ASTM B196, UNS C17300	GOLD PLATE PER MIL-G-45204, TYPE 1, GRADE C, CLASS 1
DIELECTRIC	PTFE, ASTM D1710, TYPE I, GRADE 1, CLASS A	
O-RING	SILICONE RUBBER, FED SPEC ZZ-R-765	

PART NO. MADP-7666



OUTLINE DRAWING



MICRO-MODE PRODUCTS, INC.
The Reliable Connection to the Future

El Cajon, CA 92020
ph 619.449.3844
www.micromode.com

CAGE CODE
15907

ASSY PROCEDURES: .

INSERTION/EXTRACTION TOOL: .

MSSP, MALE, FULL DETENT
TO SMA (J) ADAPTER

PART NO.

REVISION

SHEET 1 OF 1 | OL7666 9-20-04 DR .

MADP-7666

01