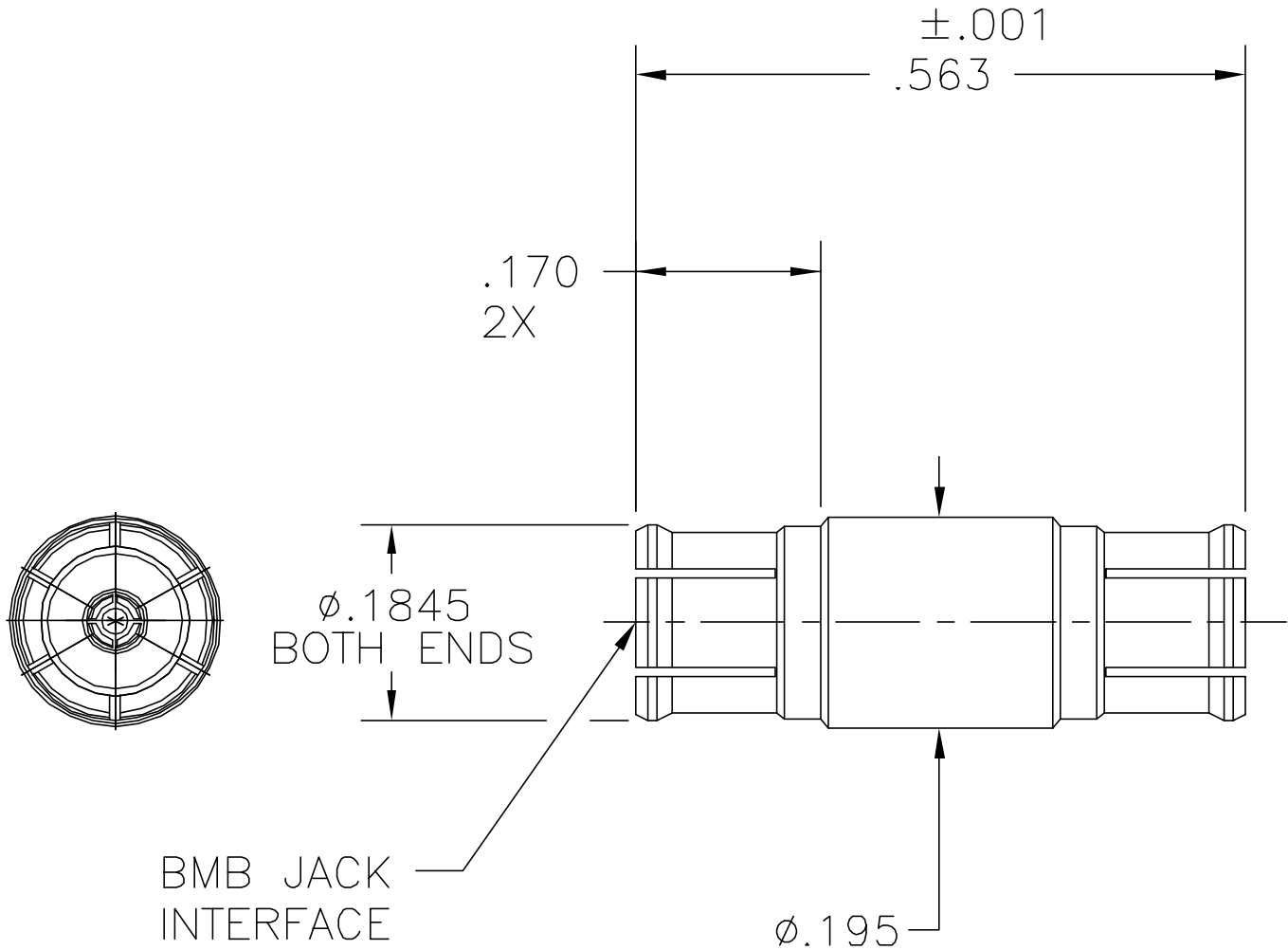


COMPONENT	MATERIAL AND FINISH	
BODY & CONTACT	BeCu, ASTM B196, UNS C17300	GOLD PLATE, MIL-G-45204, TYPE 1, GRADE C, CLASS 1
INSULATORS	PTFE, ASTM D1710, TYPE 1, GRADE 1, CLASS A	

PART NO. MBMB-7551

OUTLINE DRAWING



MICRO-MODE PRODUCTS, INC.  
*The Reliable Connection to the Future*

El Cajon, CA 92020 Peoria, AZ 85345  
(619) 449-3844 (623) 334-8944

CAGE CODE  
15907

ASSY PROCEDURES: N/A

INSERTION/EXTRACTION TOOL: MMTL-6373

MBMB JACK TO MBMB JACK  
BLINDMATE INTERCONNECT

PART NO.

MBMB-7551

REVISION

02

SHEET 1 OF 1 | OL7551 9-20-00 RF EB