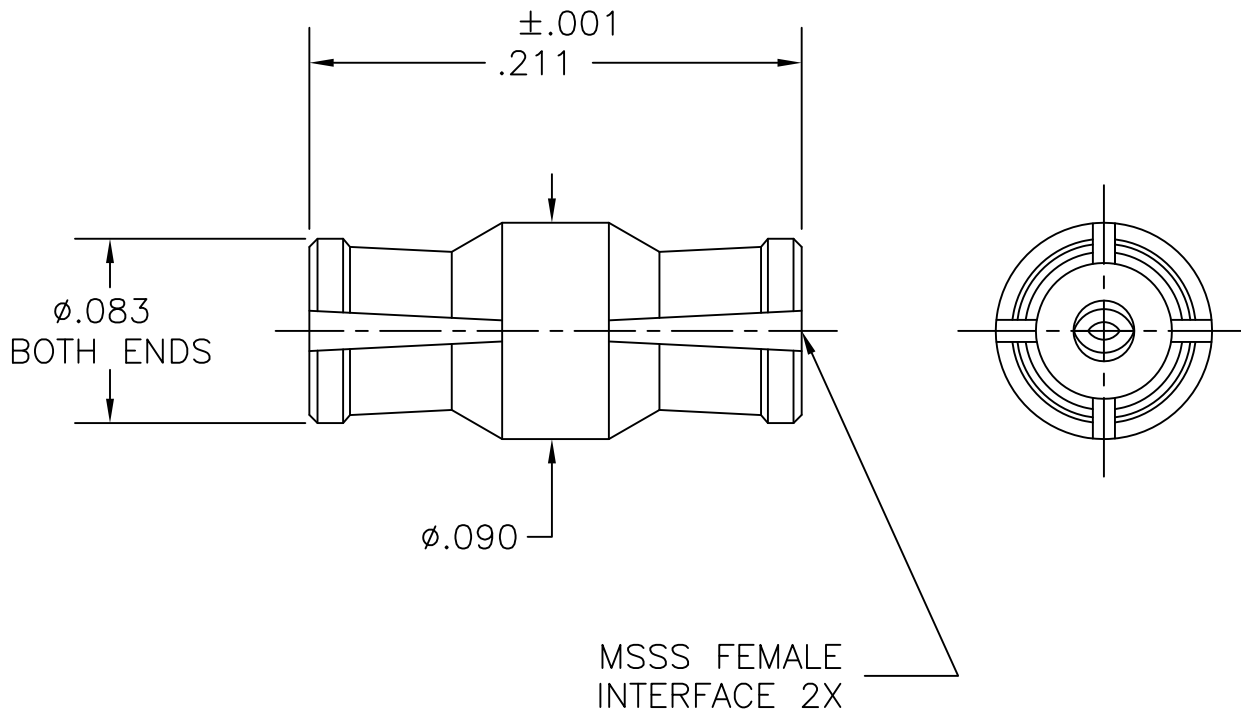



COMPONENT	MATERIAL AND FINISH	
BODY & CONTACT	BeCu, ASTM B196, UNS C17300	GOLD PLATE, MIL-G-45204, TYPE 1, GRADE C, CLASS 1
INSULATOR	PTFE, ASTM D1710, TYPE I, GRADE 1, CLASS A	

PART NO. MSSS-7211



OUTLINE DRAWING

	MICRO-MODE PRODUCTS, INC. <i>The Reliable Connection to the Future</i>	El Cajon, CA 92020 ph 619.449.3844 www.micromode.com	CAGE CODE 15907
ASSY PROCEDURES:		MSSS FEMALE (.211 OAL) BLINDMATE INTERCONNECT	
INSERTION/EXTRACTION TOOL: MMTL-6109 (2.6") OR MMTL-7161 (used with LD locking male interface)		PART NO.	REVISION
SHEET 1 OF 1	OL7211 3-29-00 PC DR	MSSS-7211	B