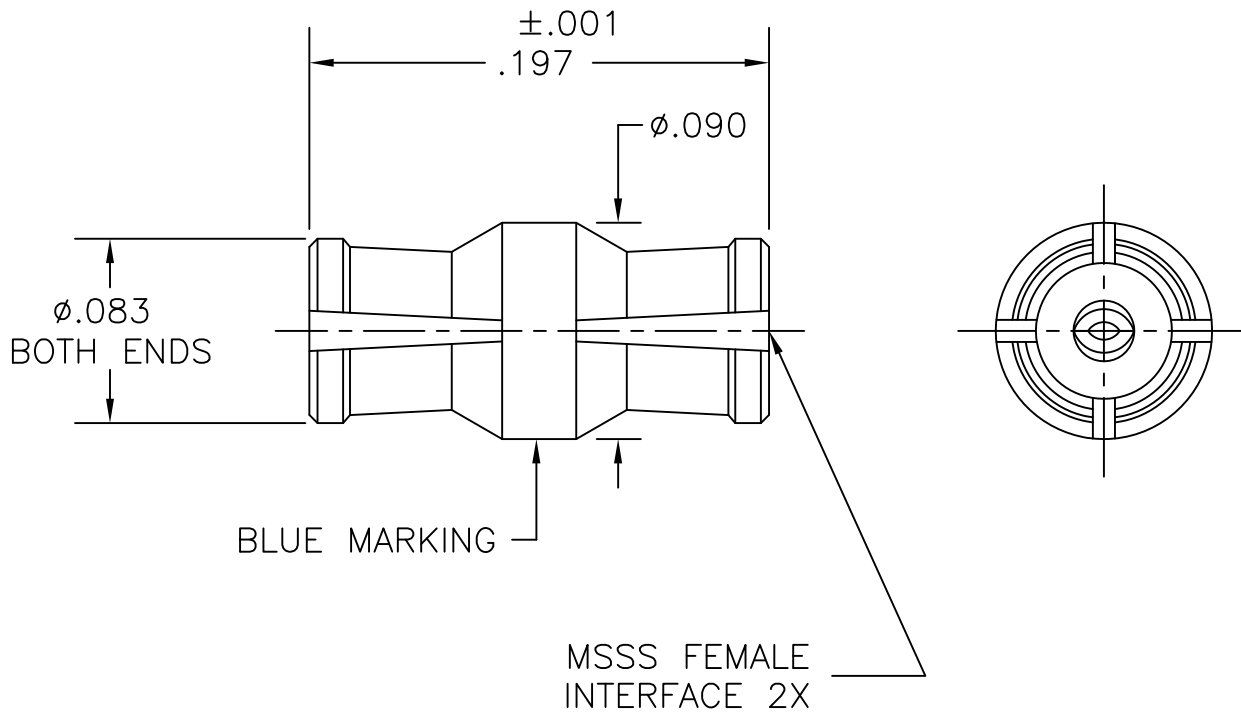



COMPONENT	MATERIAL AND FINISH	
BODY & CONTACT	BeCu, ASTM B196, UNS C17300	GOLD PLATE, MIL-G-45204, TYPE 1, GRADE C, CLASS 1
INSULATOR	PTFE, ASTM D1710, TYPE I, GRADE 1, CLASS A	
MARKING	BLUE INK	NASA SP-R-0022

PART NO. MSSS-7197



OUTLINE DRAWING

 <b>MICRO-MODE PRODUCTS, INC.</b> <i>The Reliable Connection to the Future</i>	El Cajon, CA 92020 ph 619.449.3844 www.micromode.com	CAGE CODE 15907
	ASSY PROCEDURES: MSSS FEMALE BLINDMATE INTERCONNECT	
INSERTION/EXTRACTION TOOL: MMTL-6109 (2.6") OR MMTL-7161 (used with LD locking male interface)	PART NO.	REVISION
SHEET 1 OF 1   OL7197 1-19-00 RF EB	MSSS-7197	C