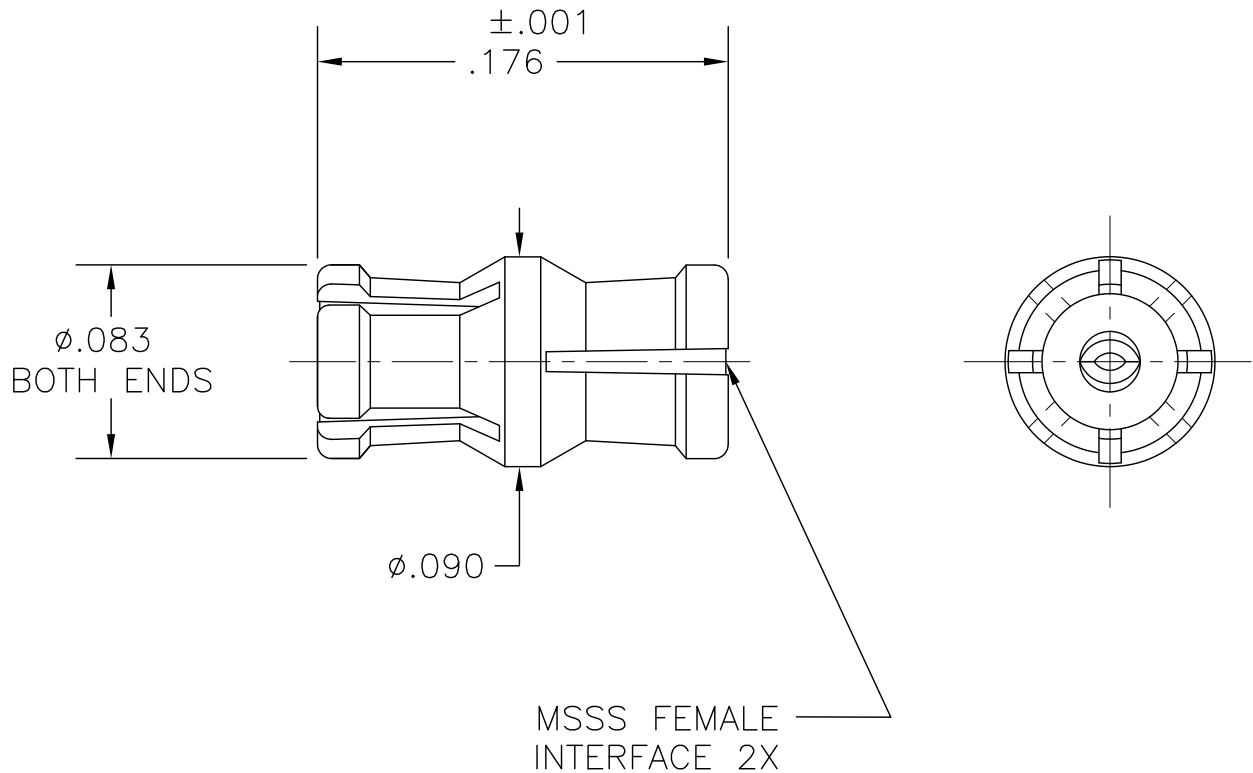


| COMPONENT | MATERIAL AND FINISH | |
|----------------|---|--|
| BODY & CONTACT | BeCu, ASTM B196, UNS C17300 | GOLD PLATE, MIL-DTL-45204, TYPE 1, GRADE C, CLASS 1 |
| INSULATOR | PTFE, ASTM D1710, TYPE I, GRADE 1, CLASS A | |

PART NO. MSSS-7176



OUTLINE DRAWING



MICRO-MODE PRODUCTS, INC.
The Reliable Connection to the Future

El Cajon, CA 92020
ph 619.449.3844
www.micromode.com

CAGE CODE
15907

ASSY PROCEDURES:

INSERTION/EXTRACTION TOOL: MMTL-6109

MSSS FEMALE
BLINDMATE INTERCONNECT

PART NO.

MSSS-7176

REVISION

D

SHEET 1 OF 1 | OL7176 4-18-00 RF EB