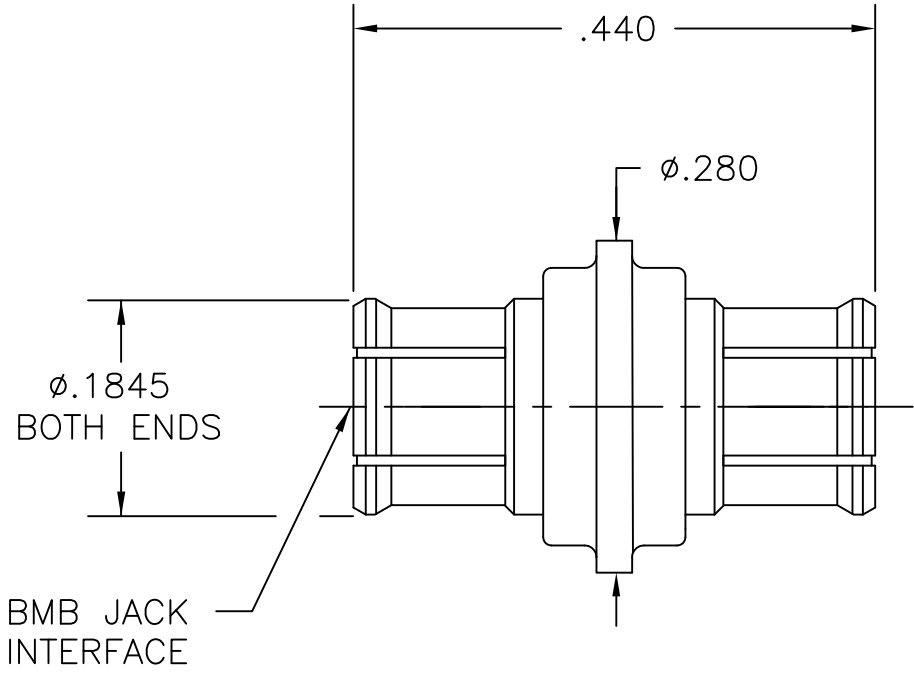
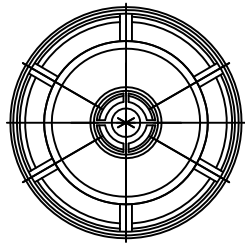


COMPONENT	MATERIAL AND FINISH	
BODY & CONTACT	BeCu, ASTM B196, UNS C17300	GOLD PLATE, MIL-G-45204, TYPE 1, GRADE C, CLASS 1
INSULATORS	FLUOROLOY H	

PART NO. MBMB-6620

OUTLINE DRAWING



MICRO-MODE PRODUCTS, INC.
The Reliable Connection to the Future

El Cajon, CA 92020
ph 619.449.3844
www.micromode.com

CAGE CODE
15907

ASSY PROCEDURES: N/A

INSERTION/EXTRACTION TOOL: MMTL-6373

MBMB (J) TO MBMB (J)
BLINDMATE INTERCONNECT
HI-POWER APPLICATION

SHEET 1 OF 1 | OL6620 7-15-99 PC MP

PART NO. MBMB-6620

REVISION
A