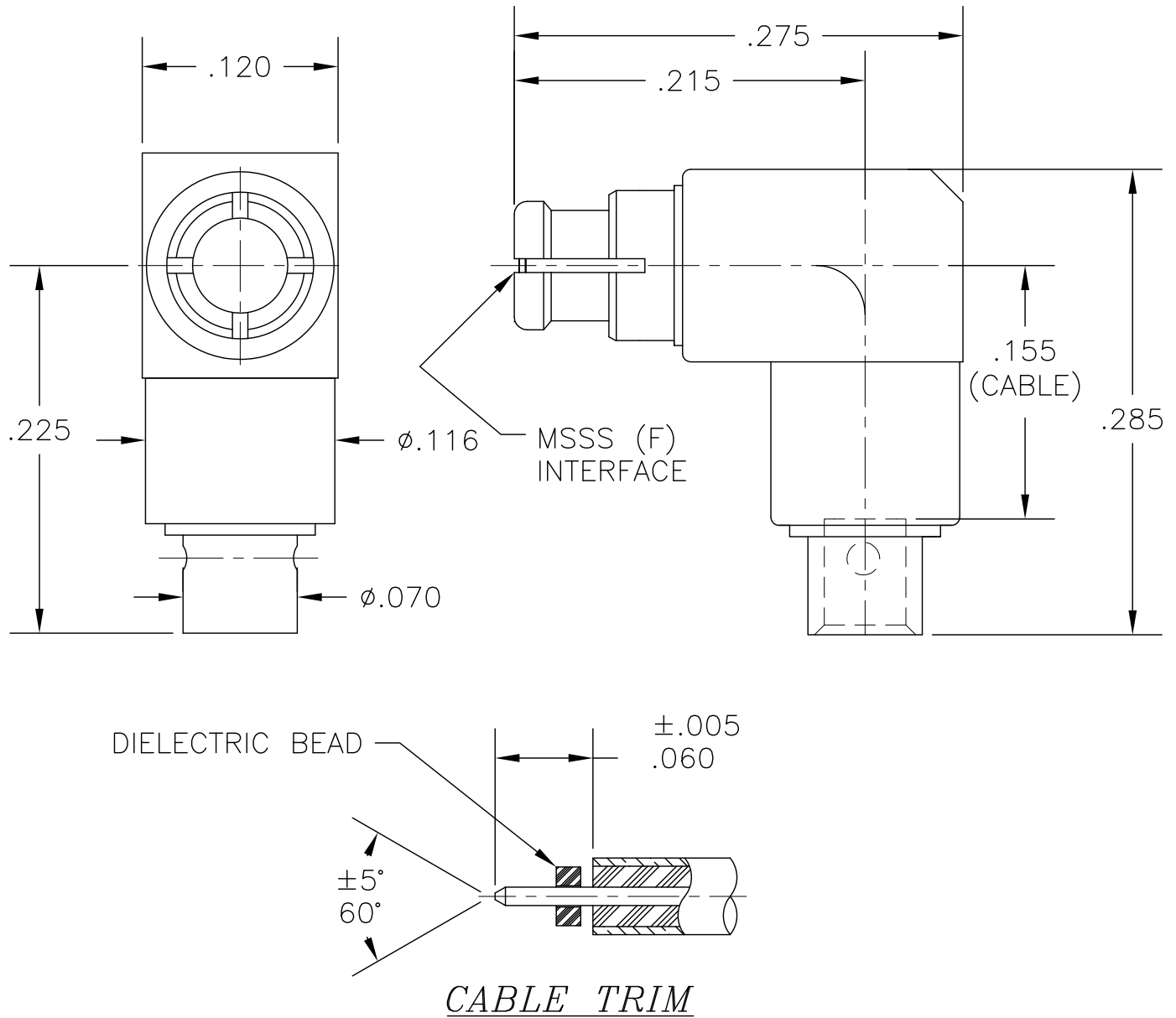


| COMPONENT | MATERIAL AND FINISH | |
|------------------------------------|-----------------------------------------------|------------------------------------------------------|
| MSSS BODY, CONTACT & CABLE ADAPTER | BeCu, ASTM B196, UNS C17300 | GOLD PLATE, MIL-G-45204, TYPE 1, GRADE C, CLASS 1 |
| INSULATOR | PTFE, ASTM D1710, TYPE I, GRADE 1, CLASS A | |
| DIELECTRIC BEAD | TORLON, MIL-P-46179, TYPE 1 | |
| RIGHT ANGLE HOUSING | 303 CRES, ASTM A582 | PASSIVATE, AMS-QQ-P-35 |



PART NO. MSSS-6551

OUTLINE DRAWING



MICRO-MODE PRODUCTS, INC.
The Reliable Connection to the Future

El Cajon, CA 92020
ph 619.449.3844
www.micromode.com

CAGE CODE
15907

ASSY PROCEDURES: MMAP-4861

INSERTION/EXTRACTION TOOL: MMTL-6555

MSSS, FEMALE, SWEEP R/A TO
.047 SR CABLE

PART NO.

MSSS-6551

REVISION

B

SHEET 1 OF 1 | OL6551 02-28-02 EB DR