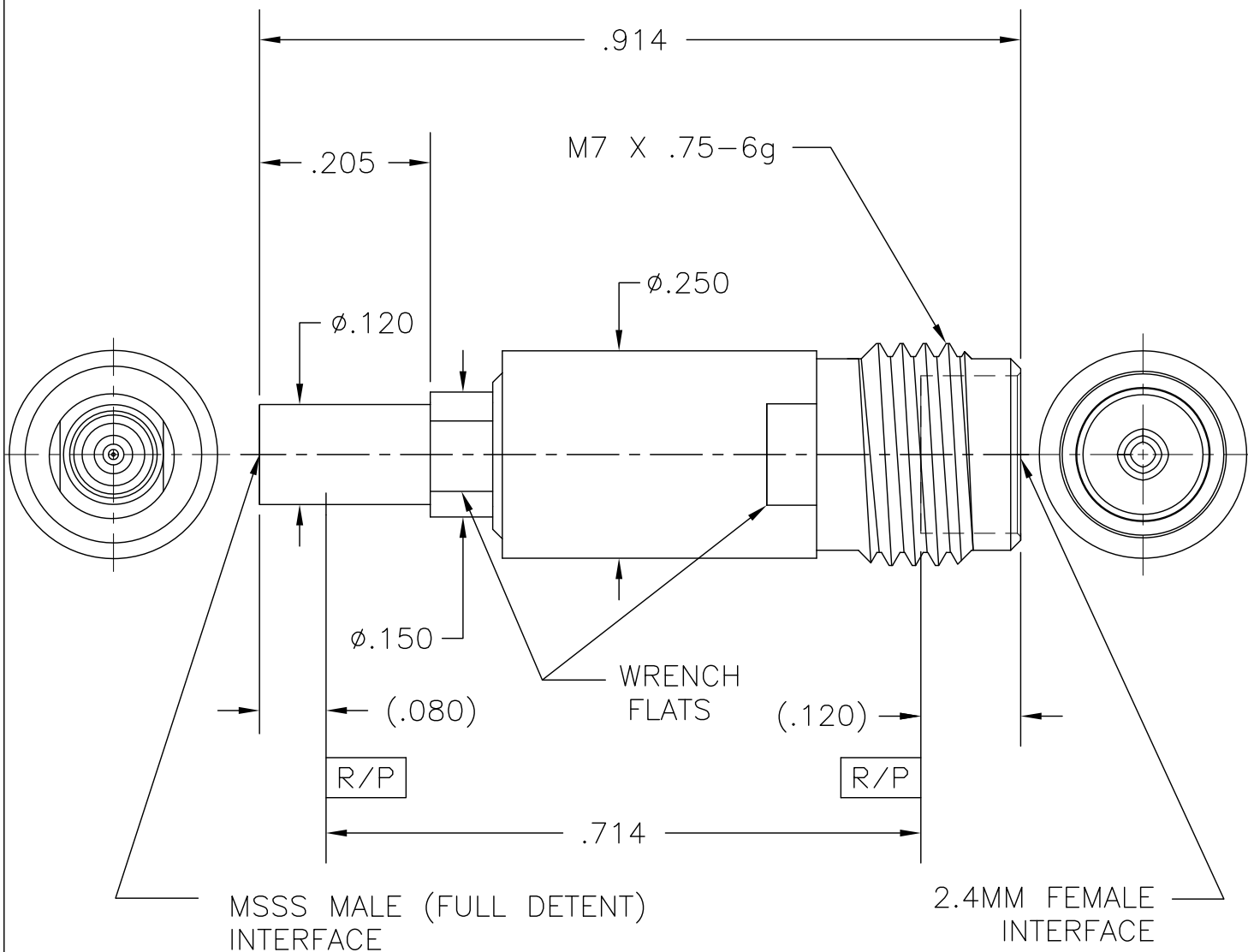


COMPONENT	MATERIAL AND FINISH	
2.4MM BODY, CONTACT & INSERT	BeCu, ASTM B196, UNS C17300	GOLD PLATE, MIL-G-45204, TYPE 1, GRADE C, CLASS 1
INSULATORS	PTFE, ASTM D1710, TYPE I, GRADE 1, CLASS A	
MSSS BODY	303 CRES, ASTM A582	PASSIVATE, AMS-QQ-P-35

PART NO. MADP-6321

OUTLINE DRAWING



MICRO-MODE PRODUCTS, INC.
The Reliable Connection to the Future

El Cajon, CA 92020
ph 619.449.3844
www.micromode.com

CAGE CODE
15907

ASSY PROCEDURES: N/A	MSSS (M) FULL DETENT TO 2.4MM FEMALE ADAPTER	
INSERTION/EXTRACTION TOOL: N/A	PART NO.	REVISION
SHEET 1 OF 1	OL6321 11-19-98 PC	MADP-6321 H