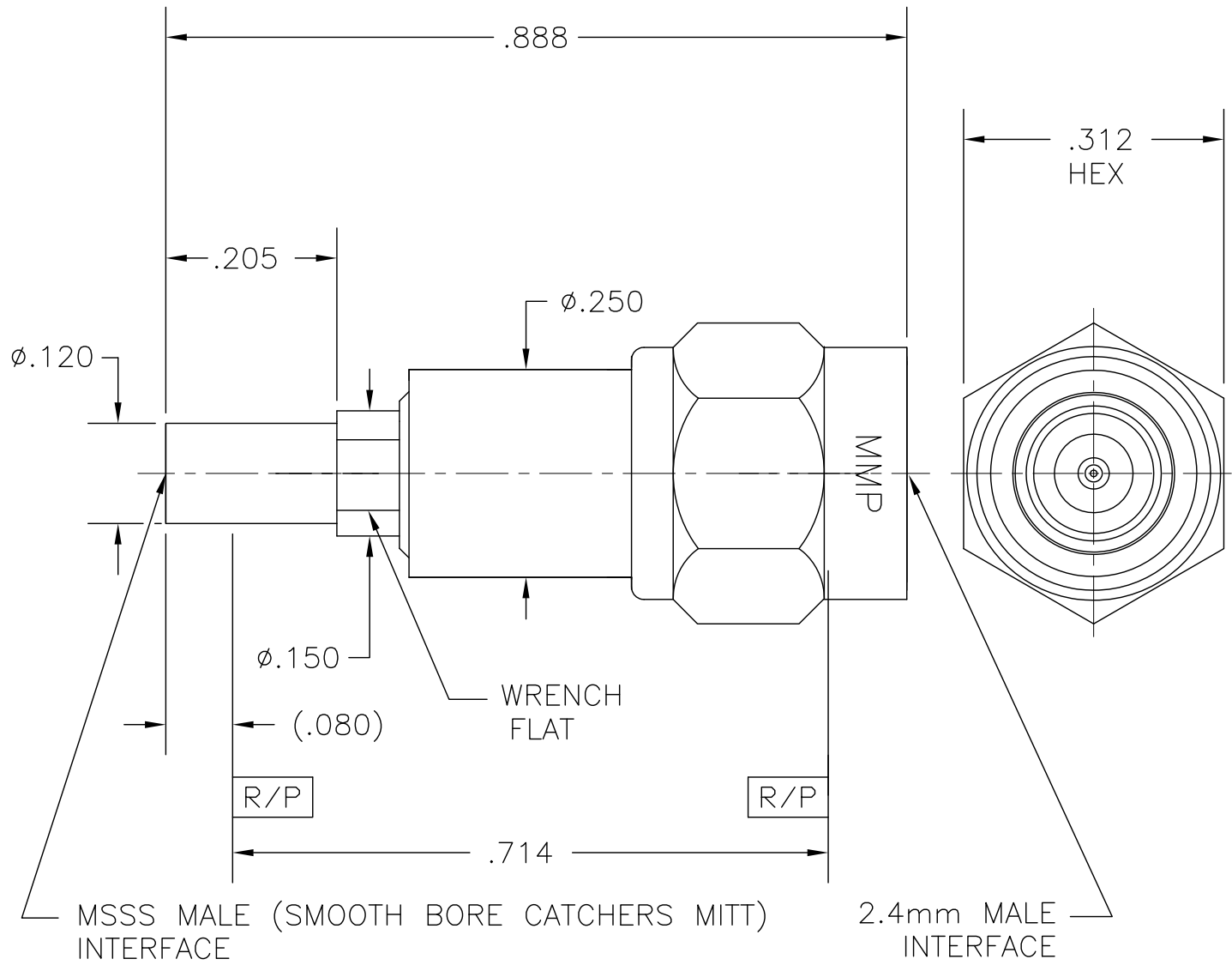


COMPONENT	MATERIAL AND FINISH	
2.4mm BODY, CONTACT INSERT & RETAINING RING	BeCu, ASTM B196, UNS C17300	GOLD PLATE, MIL-G-45204, TYPE 1, GRADE C, CLASS 1
INSULATORS	PTFE, ASTM D1710, TYPE I, GRADE 1, CLASS A	
BODY, COUPLING NUT	303 CRES, ASTM A582	PASSIVATE, AMS-QQ-P-35

PART NO. MADP-6314

OUTLINE DRAWING



MICRO-MODE PRODUCTS, INC.
The Reliable Connection to the Future

El Cajon, CA 92020
(619) 449-3844

CAGE CODE
15907

ASSY PROCEDURES: N/A
INSERTION/EXTRACTION TOOL: N/A
SHEET 1 OF 1

MSSS, MALE, SBCM TO 2.4mm MALE ADAPTER
PART NO. MADP-6314
REVISION C

OL6314 01-27-00 RF EB