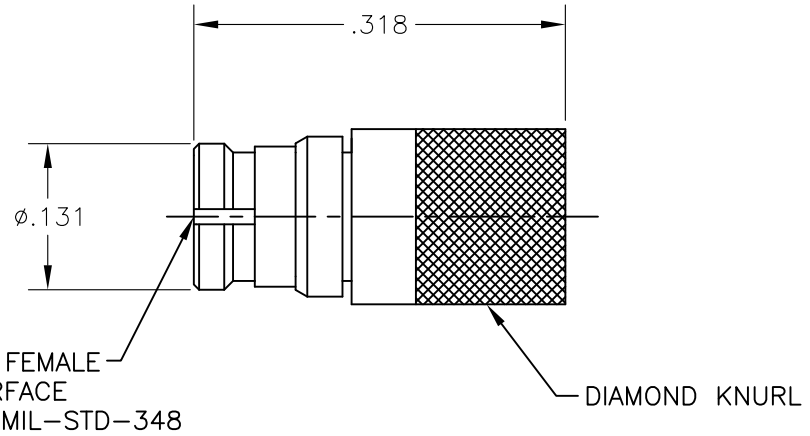
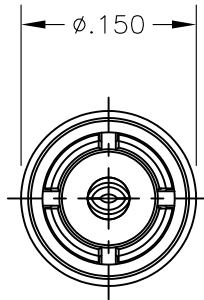


# OUTLINE DRAWING



OPERATING FREQUENCY	DC TO 30 GHz
VSWR	DC TO 18 GHz - 1.15:1 MAX
	18 TO 26.5 GHz - 1.30:1 MAX
	26.5 TO 30 GHz - 1.40:1 MAX
INSERTION LOSS	N/A
RF HIGH POT	N/A
INSULATION RESISTANCE	N/A
DWV	N/A

CENTER/OUTER CONTACT RESISTANCE	6.0/2.0 mOHMS
IMPEDANCE	50 OHMS NOMINAL
OPERATING TEMPERATURE	-65°C TO +125°C
NON-OPERATING TEMPERATURE	-65°C TO +125°C
.	.
.	.
.	.

	FULL DETENT	LIMITED DETENT	SMOOTH BORE
FORCE TO ENGAGE (LBS MAX)	15.0	8.0	2.0
FORCE TO DISENGAGE (LBS MIN)	5.0	2.0	0.5
DURABILITY (CYCLES MIN)	100	500	1,000
VIBRATION	MIL-STD-202, METHOD 202, CONDITION F		
SHOCK	MIL-STD-202, METHOD 213, CONDITION I		
THERMAL SHOCK	MIL-STD-202, METHOD 107, CONDITION B		
.	.	.	.

COMPONENT	MATERIAL & FINISH
BODY, CONTACT	BeCu, ASTM B196, UNS C17300 GOLD PLATE, MIL-G-45204, TYPE 1, GRADE C, CLASS 1
INSULATOR	PTFE, ASTM D1710, TYPE I, GRADE 1, CLASS A
RESISTOR	ALUMINA
.	.
.	.



**MICRO-MODE PRODUCTS, INC.**  
*The Reliable Connection to the Future*

El Cajon, CA 92020  
ph 619.449.3844  
www.micromode.com

CAGE CODE  
15907

ASSY PROCEDURES: N/A
INSERTION/EXTRACTION TOOL: MMTL-2681; MMTL-4991
SHEET 1 OF 1

SMP FEMALE TERMINATION, 50 OHMS
PART NO. MMSP-6238
REVISION M

OUTLINE DRAWING