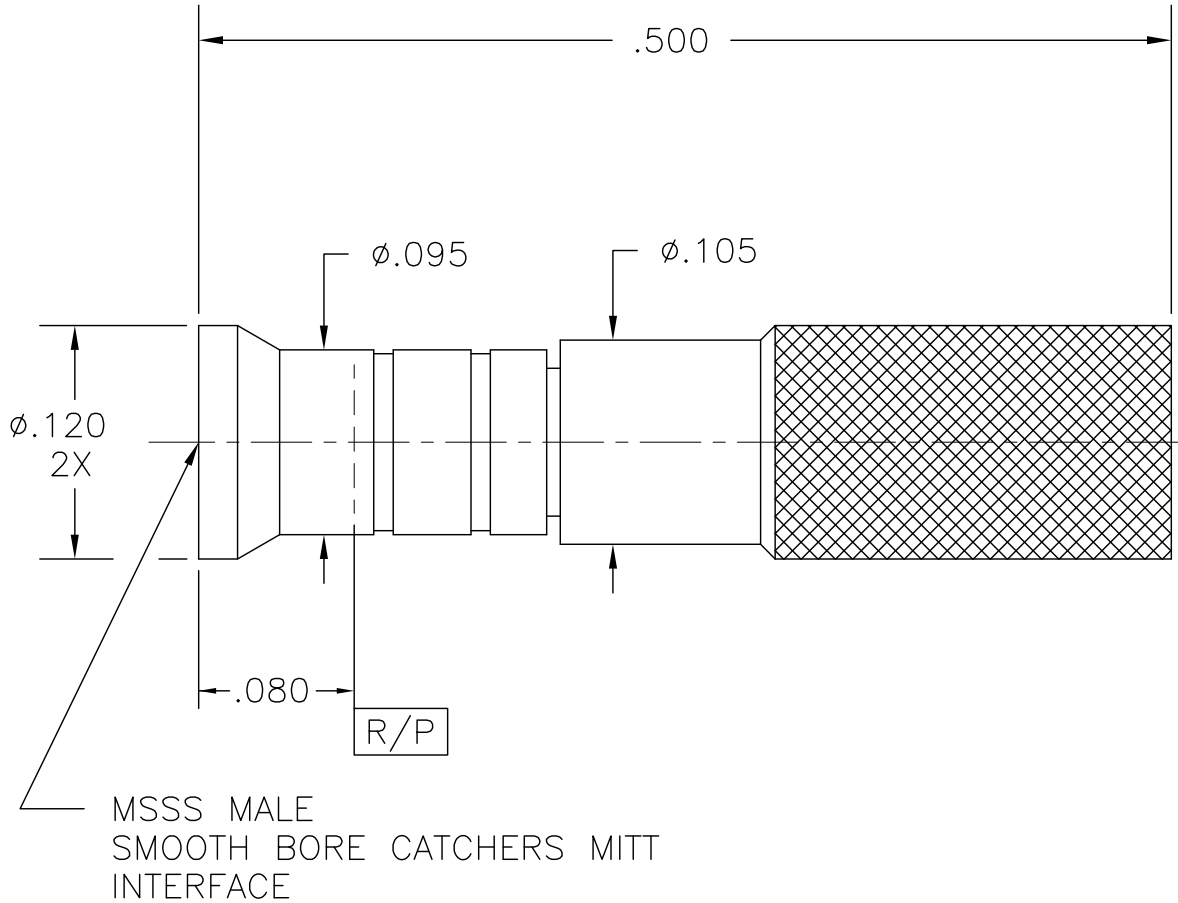


COMPONENT	MATERIAL AND FINISH	
CONTACT & KNURLED BODY	BeCu, ASTM B196, UNS C17300	GOLD PLATE, MIL-G-45204, TYPE 1, GRADE C, CLASS 1
INSULATOR	PTFE, ASTM D1710, TYPE I, GRADE 1, CLASS A	
MSSS BODY	303 CRES, ASTM A582	PASSIVATE, AMS-QQ-P-35
RESISTOR	ALUMINA WITH NICHROME FILM OR PYROLYTIC CARBON	

PART NO. MSSS-5983



OUTLINE DRAWING



MICRO-MODE PRODUCTS, INC.
The Reliable Connection to the Future

El Cajon, CA 92020
ph 619.449.3844
www.micromode.com

CAGE CODE
15907

ASSY PROCEDURES: N/A

INSERTION/EXTRACTION TOOL: N/A

MSSS MALE, (SBCM)
50 OHM TERMINATION

PART NO.

MSSS-5983

REVISION

A

SHEET 1 OF 1 OL5983 9-17-04 MT EB