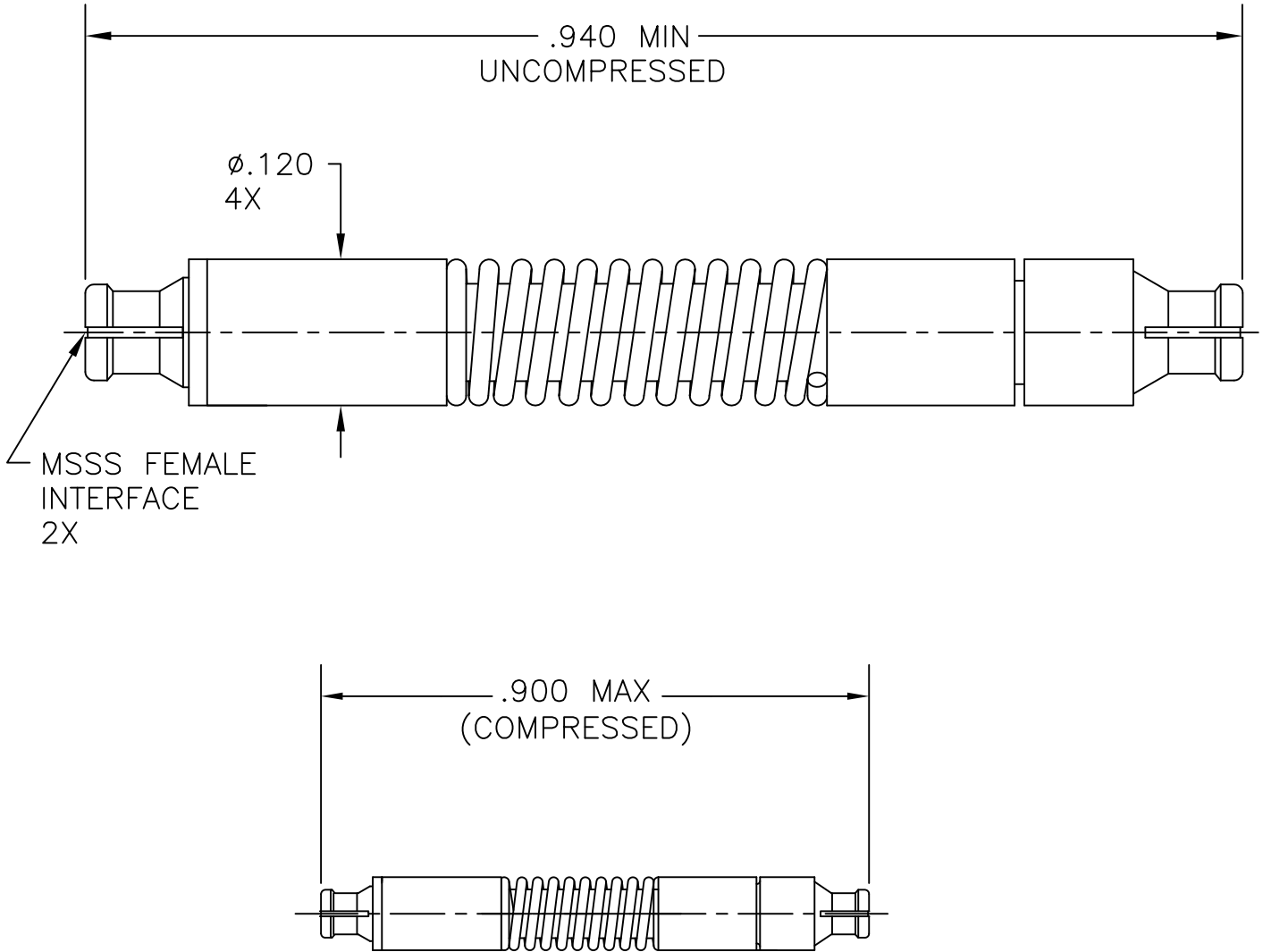


COMPONENT	MATERIAL AND FINISH	
BODY & CONTACT	BeCu, ASTM B196, UNS C17300	GOLD PLATE, MIL-G-45204, TYPE 1, GRADE C, CLASS 1
INSULATORS	PTFE, ASTM D1710, TYPE I, GRADE 1, CLASS A	
SLEEVES	303 CRES, ASTM A582	PASSIVATE, AMS-QQ-P-35
SPRING	302 CRES, ASTM A313	

PART NO. MSSS-5211

OUTLINE DRAWING



MICRO-MODE PRODUCTS, INC.
The Reliable Connection to the Future

El Cajon, CA 92020
ph 619.449.3844
www.micromode.com

CAGE CODE
15907

ASSY PROCEDURES: N/A

INSERTION/EXTRACTION TOOL:
MMTL-6109 (2.6") OR
MMTL-7161 (used with LD locking male interface)

MSSS BULLET, COMPRESSIBLE

SHEET 1 OF 1 | OL5211 6-21-02 RF EB

PART NO.

MSSS-5211

REVISION

C