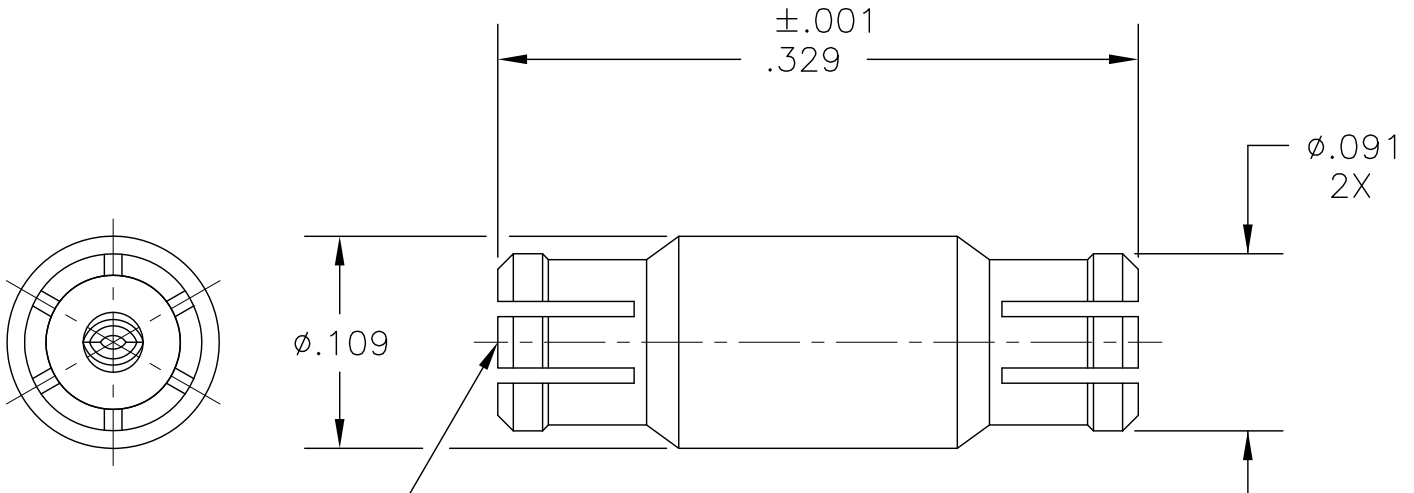


COMPONENT	MATERIAL AND FINISH	
BODY & CONTACT	BeCu, ASTM B196, UNS C17300	GOLD PLATE, MIL-G-45204, TYPE 1, GRADE C, CLASS 1
INSULATOR	PTFE, ASTM D1710, TYPE I, GRADE 1, CLASS A	

PART NO. MSSP-3898

OUTLINE DRAWING



SMPM FEMALE  
INTERFACE  
PER MIL-STD-348  
2X



MICRO-MODE PRODUCTS, INC.  
*The Reliable Connection to the Future*

El Cajon, CA 92020  
ph 619.449.3844  
www.micromode.com

CAGE CODE  
15907

ASSY PROCEDURES: N/A

INSERTION/EXTRACTION TOOL: MMTL-7407

SMPM FEMALE BLINDMATE  
INTERCONNECT, .329 OAL

PART NO.

MSSP-3898

REVISION

A

SHEET 1 OF 1 OL3898 9-19-05 MP