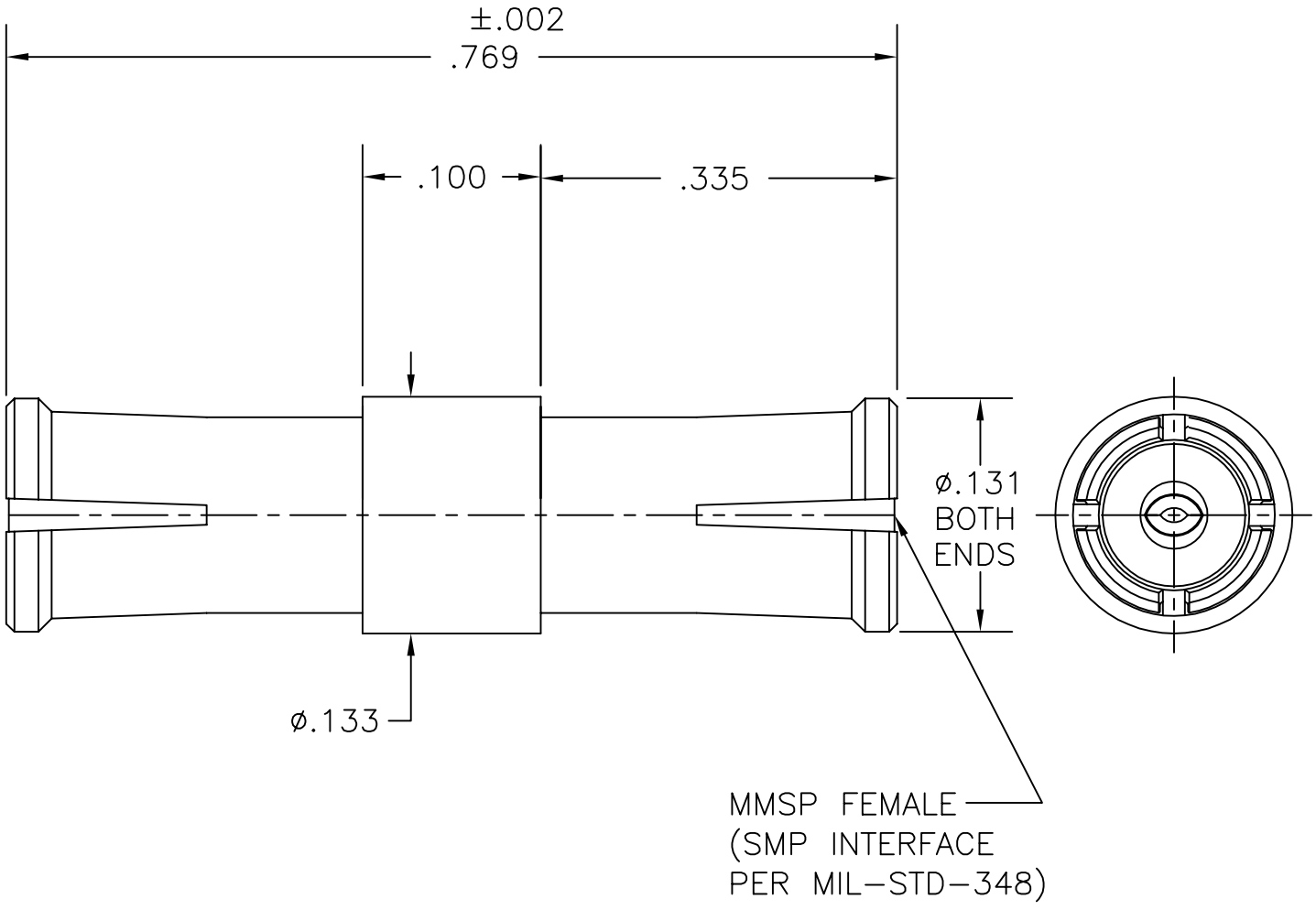



COMPONENT	MATERIAL AND FINISH	
BODY & CONTACT	BeCu, ASTM B196, UNS C17300	GOLD PLATE, MIL-G-45204, TYPE 1, GRADE C, CLASS 1
INSULATOR	PTFE, ASTM D1710, TYPE I, GRADE 1, CLASS A	

PART NO. MMSP-3829



OUTLINE DRAWING

	<b>MICRO-MODE PRODUCTS, INC.</b> <i>The Reliable Connection to the Future</i>	El Cajon, CA 92020 ph 619.449.3844 www.micromode.com	CAGE CODE 15907
ASSY PROCEDURES:		MMSP FEMALE (.769 OAL)	
INSERTION/EXTRACTION TOOL: MMTL-2680		BLINDMATE INTERCONNECT	
SHEET 1 OF 1   OL3829 10-11-00 RF DR		PART NO. <b>MMSP-3829</b>	REVISION <b>B</b>