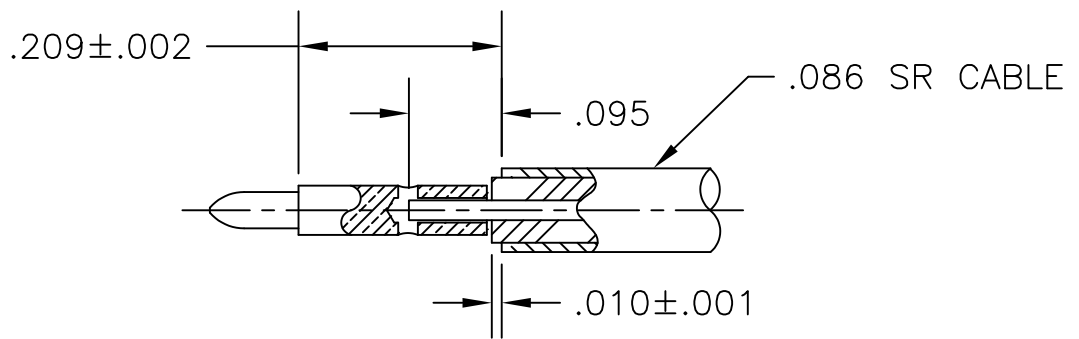
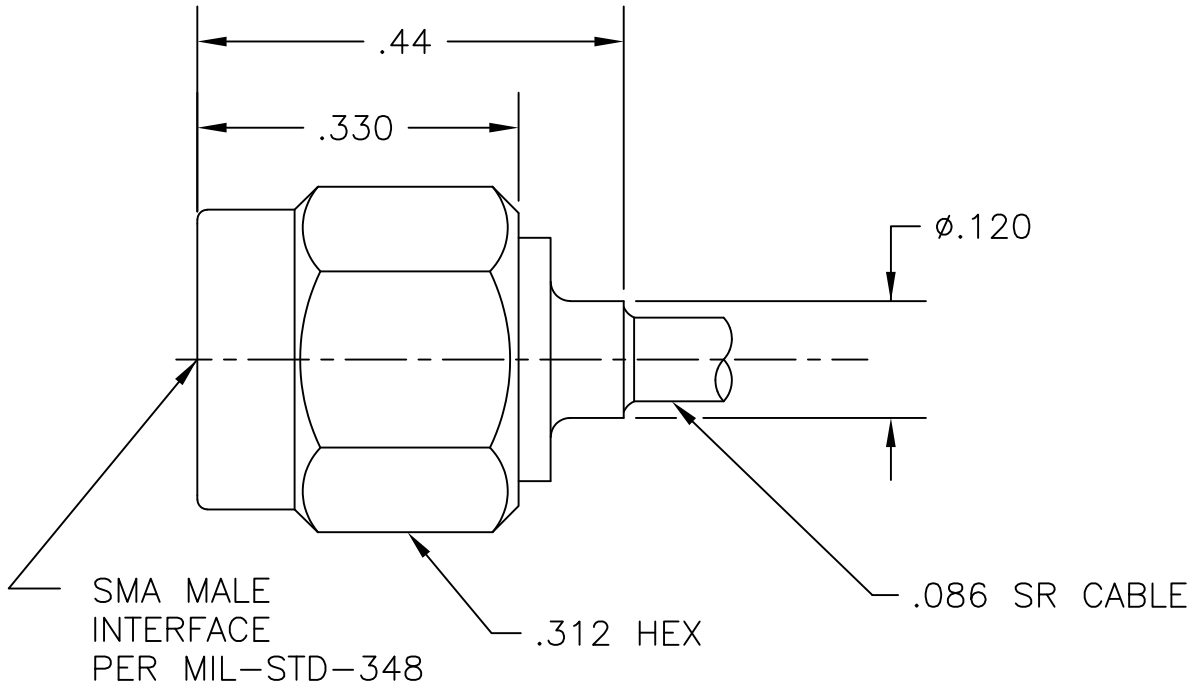


COMPONENT	MATERIAL AND FINISH	
BODY	303 CRES, ASTM A582	GOLD PLATE, MIL-G-45204, TYPE 1, GRADE C, CLASS 1
INSULATOR	PTFE, ASTM D1710, TYPE I, GRADE 1, CLASS A	
CONTACT	BeCu, ASTM B196, UNS C17300	GOLD PLATE, MIL-G-45204, TYPE 1, GRADE C, CLASS 1
COUPLING NUT	303 CRES, ASTM A582	PASSIVATE, AMS-QQ-P-35
GASKET	SILICONE RUBBER, ZZ-R-765	

PART NO. 1001-2-0800-000 XG

OUTLINE DRAWING



CABLE TRIM



MICRO-MODE PRODUCTS, INC.
The Reliable Connection to the Future

El Cajon, CA 92020
 ph 619.449.3844
 www.micromode.com

CAGE CODE
 15907

ASSY PROCEDURES: N/A

INSERTION/EXTRACTION TOOL: N/A

SMA PLUG, STRAIGHT TO
 .086 SR CABLE

PART NO.

1001-2-0800-000 XG

REVISION

H