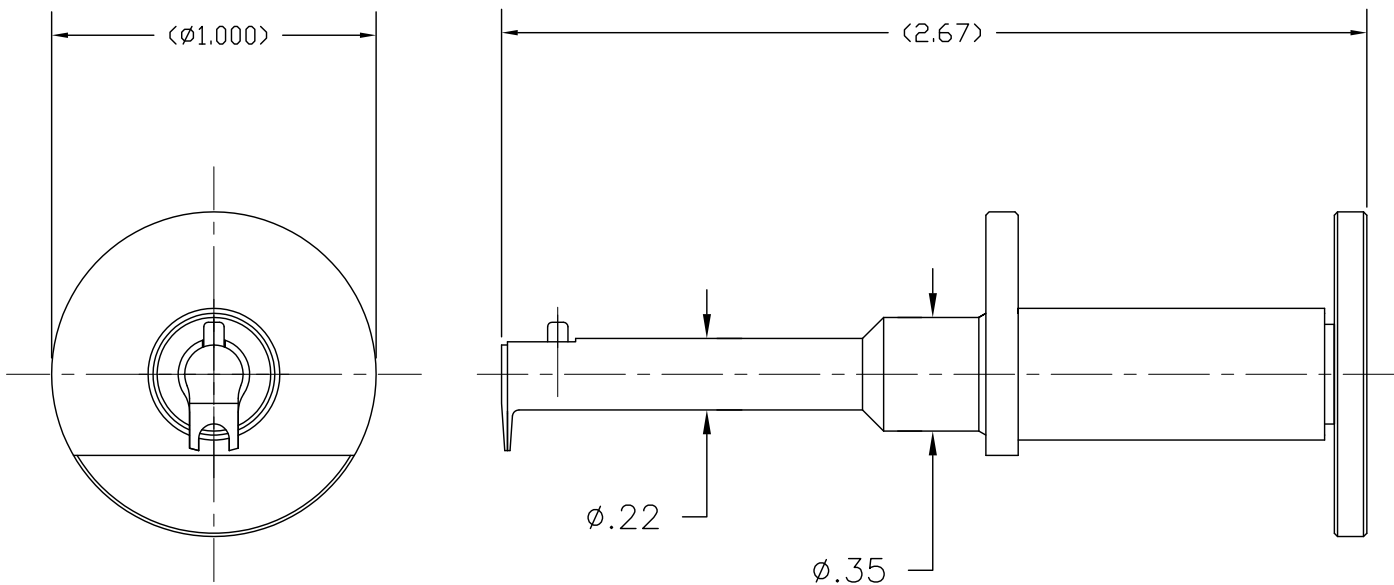


COMPONENT	MATERIAL AND FINISH	
PLUNGER, RING	303 CRES, ASTM A582	PASSIVATE, AMS-QQ-P-35
FORKS	17-4 PH STAINLESS ASTM A564	HEAT TREAT
SPRING	302 CRES, ASTM A313	PASSIVATE, AMS-QQ-P-35

PART NO. MMTL-7900



OUTLINE DRAWING



MICRO-MODE PRODUCTS, INC.
The Reliable Connection to the Future

El Cajon, CA 92020
ph 619.449.3844
www.micromode.com

CAGE CODE
15907

MSSS EXTRACTION TOOL FOR
CABLE CONNECTORS

PART NO.

MMTL-7900

REVISION

B

SHEET 1 OF 1 | OL7900 4-8-05 MD EB