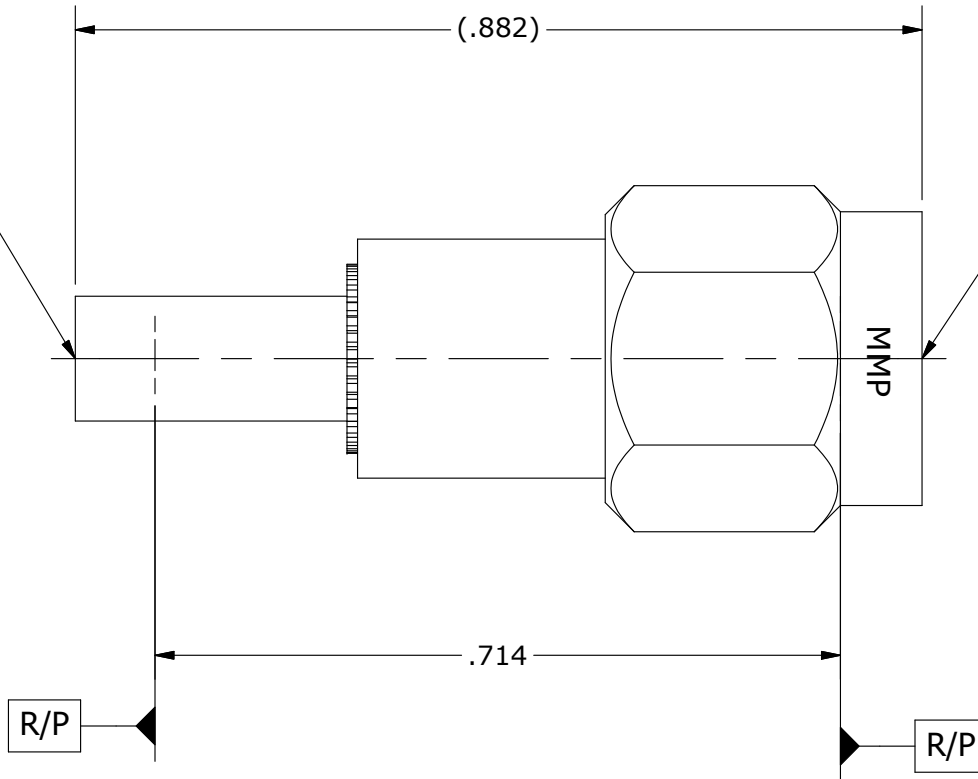
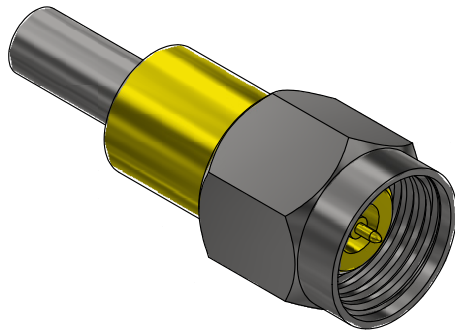


SMPM MALE
FULL DETENT
INTERFACE
PER MIL-STD-348



2.4mm MALE
INTERFACE



COMPONENT	MATERIAL	FINISH	MICRO-MODE PRODUCTS, INC. <i>The Reliable Connection to the Future</i>			El Cajon, CA 92020 ph 619.449.3844 www.micromode.com	CAGE CODE 15907
2.4mm BODY, CONTACT	BeCu, ASTM B196, UNS C17300	GOLD PLATE, MIL-DTL-45204, TYPE 1, GRADE C, CLASS 1	ASSEMBLY PROCEDURES: N/A		SMPM MALE (FD) TO 2.4mm MALE ADAPTER		
INSULATOR	PTFE PER ASTM D1710 TYPE 1, GRADE 1, CLASS A		TOOL: N/A				
SMPM BODY, COUPLING NUT	303 CRES, ASTM A582	PASSIVATE, AMS-QQ-P-35	PART NO.		MADP-3945		REVISION C
LOCK RING	BeCu, ASTM B196, UNS C17300		SHEET 1 OF 1	12-12-01 RF EB			