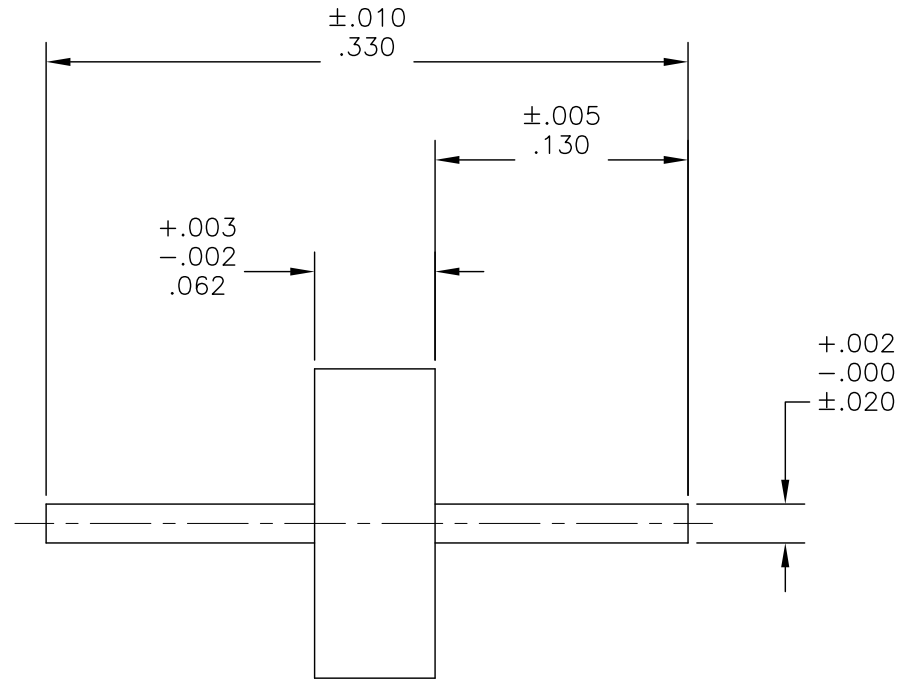
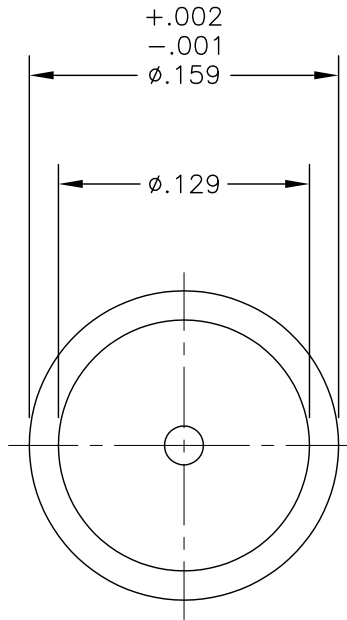



OUTLINE DRAWING



COMPONENT	MATERIAL & FINISH		 MICRO-MODE PRODUCTS, INC. <i>The Reliable Connection to the Future</i>	El Cajon, CA 92020 ph 619.449.3844 www.micromode.com	CAGE CODE 15907
FERRULE & PIN	KOVAR, MIL-I-23011 ASTM-F15	GOLD PLATE, MIL-G-45204, TYPE 1, GRADE C, CLASS 1		ASSY PROCEDURES: N/A	FEEDTHRU, HERMETIC $\phi.020$ PIN
GLASS	CORNING #7070 OR EQUIVALENT		INSERTION/EXTRACTION TOOL: N/A	PART NO.	REVISION
			SHEET 1 OF 1	6-23-89 MM .	SA0001 KG F

OUTLINE DRAWING