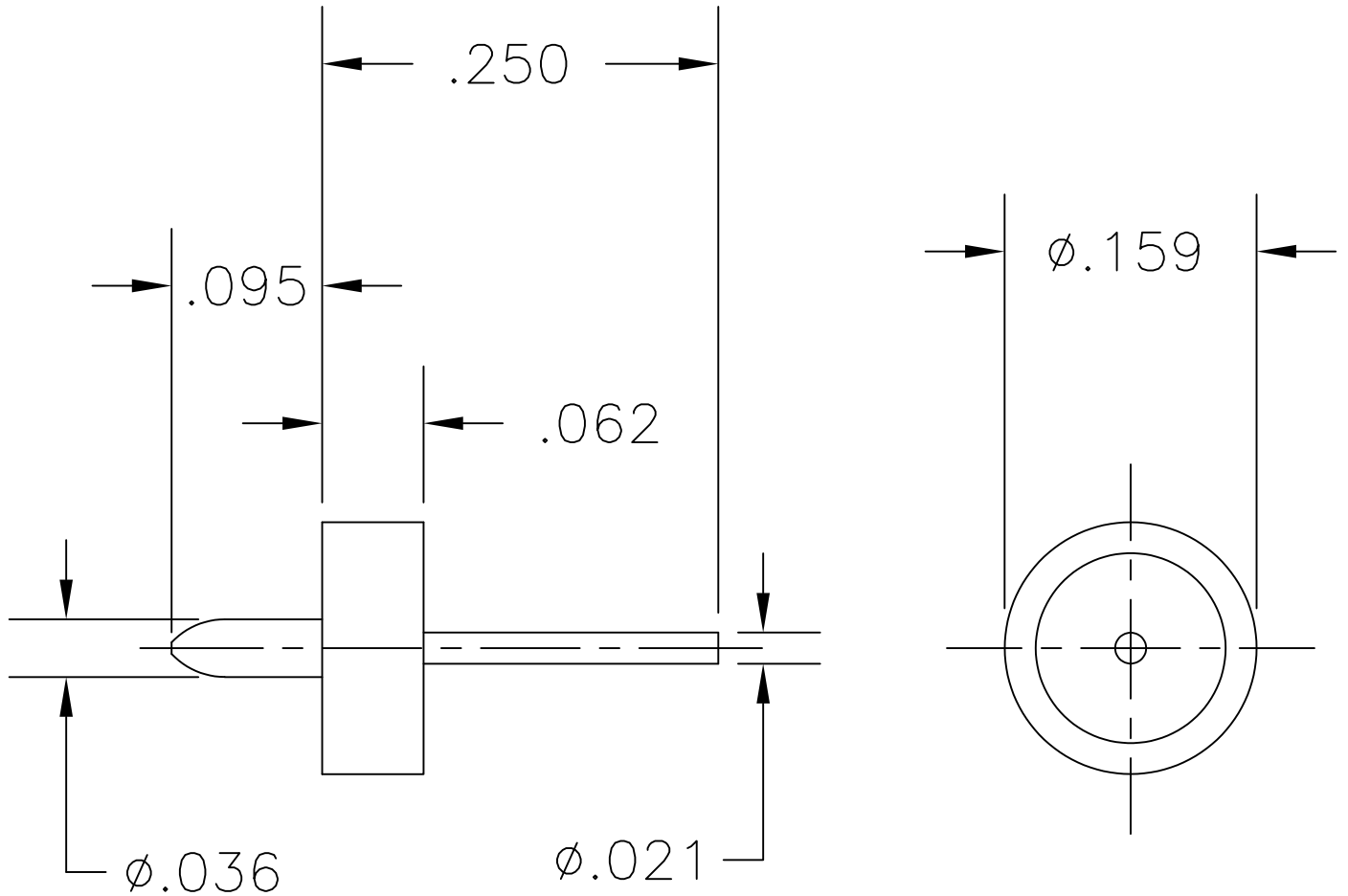


COMPONENT	MATERIAL AND FINISH	
FERRULE & PIN	KOVAR, MIL-I-23011 ASTM-F15	GOLD PLATE, MIL-G-45204, TYPE 1, GRADE C, CLASS 1
GLASS	CORNING #7052 OR EQUIVALENT	

PART NO. SA0004 KG



OUTLINE DRAWING



MICRO-MODE PRODUCTS, INC.
The Reliable Connection to the Future

El Cajon, CA 92020
ph 619.449.3844
www.micromode.com

CAGE CODE
15907

ASSY PROCEDURES: N/A

INSERTION/EXTRACTION TOOL: N/A

50 OHM HERMETIC FEEDTHRU

PART NO.

SA0004 KG

REVISION

H

SHEET 1 OF 1 OL-SA0004 6-17-02 DR