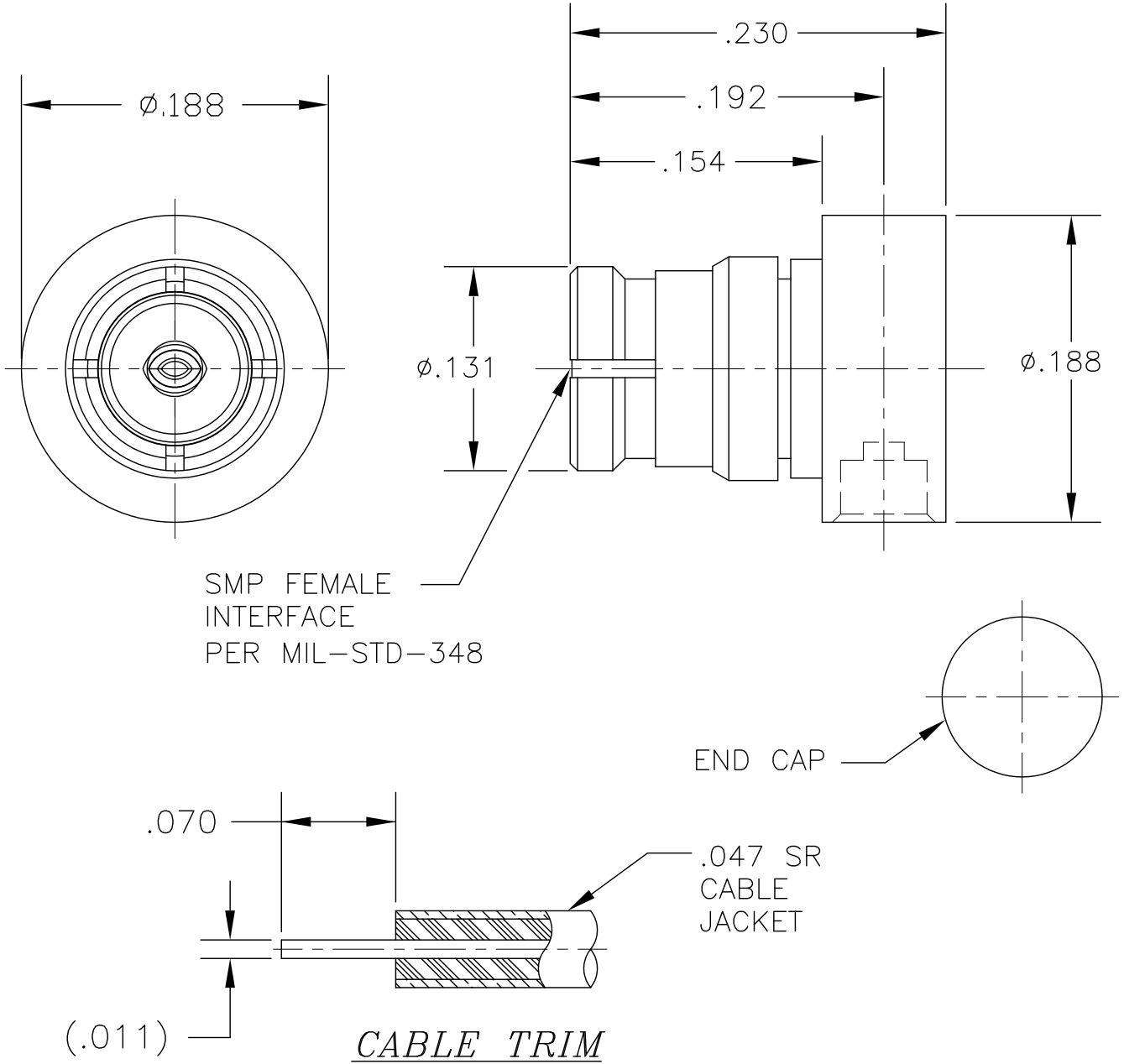


COMPONENT	MATERIAL AND FINISH	
BODY, CONTACT, ANTI-ROCK RING, EMI RING & END CAP	BeCu, ASTM B196, UNS C17300	GOLD PLATE, MIL-G-45204, TYPE 1, GRADE C, CLASS 1
INSULATOR	PTFE, ASTM D1710, TYPE I, GRADE 1, CLASS A	

PART NO. MMSP-6968

OUTLINE DRAWING



MICRO-MODE PRODUCTS, INC.  
*The Reliable Connection to the Future*

El Cajon, CA 92020  
 ph 619.449.3844  
 www.micromode.com

CAGE CODE  
 15907

ASSY PROCEDURES: MMAP-6986		MMSP RT ANGLE TO .047 SR CABLE	
INSERTION/EXTRACTION TOOL: MMTL-2681		PART NO. MMSP-6968	
SHEET 1 OF 1		OL6968 8-12-03 RF MT	REVISION B