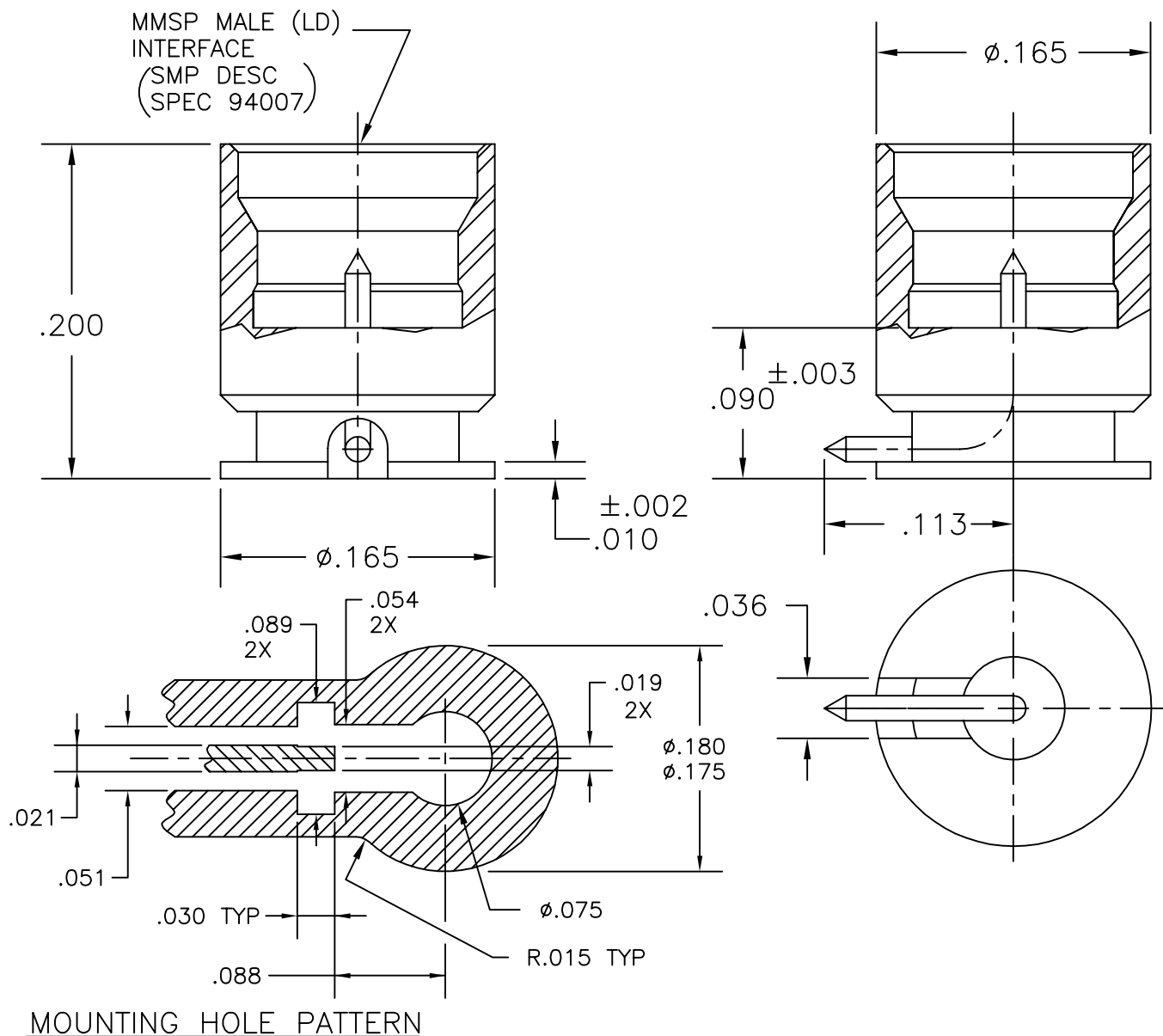


COMPONENT	MATERIAL AND FINISH	
SHROUD	303 CRES, ASTM A582	PASSIVATE, AMS-QQ-P-35
R/A PIN	BeCu, ASTM B196, UNS C17300	GOLD PLATE, MIL-G-45204, TYPE 1, GRADE C, CLASS 1
BASE	440F-Se CRES, ASTM A582	GOLD PLATE, MIL-G-45204, TYPE 1, GRADE C, CLASS 1
DIELECTRIC	TORLON (POLYAMIDE-IMIDE), MIL-P-46179, TYPE 1	

PART NO. MMSP-6147

OUTLINE DRAWING



MICRO-MODE PRODUCTS, INC.  
The Reliable Connection to the Future

El Cajon, CA 92020  
ph 619.449.3844  
www.micromode.com

CAGE CODE  
15907

ASSY PROCEDURE: N/A	MMSP, MALE, LIMITED DETENT STRAIGHT TO CERAMIC BOARD		
LOCATOR TOOL: N/A			
SHEET 1 OF 1	OL6147 7-27-98 PC	PART NO. MMSP-6147	REVISION B