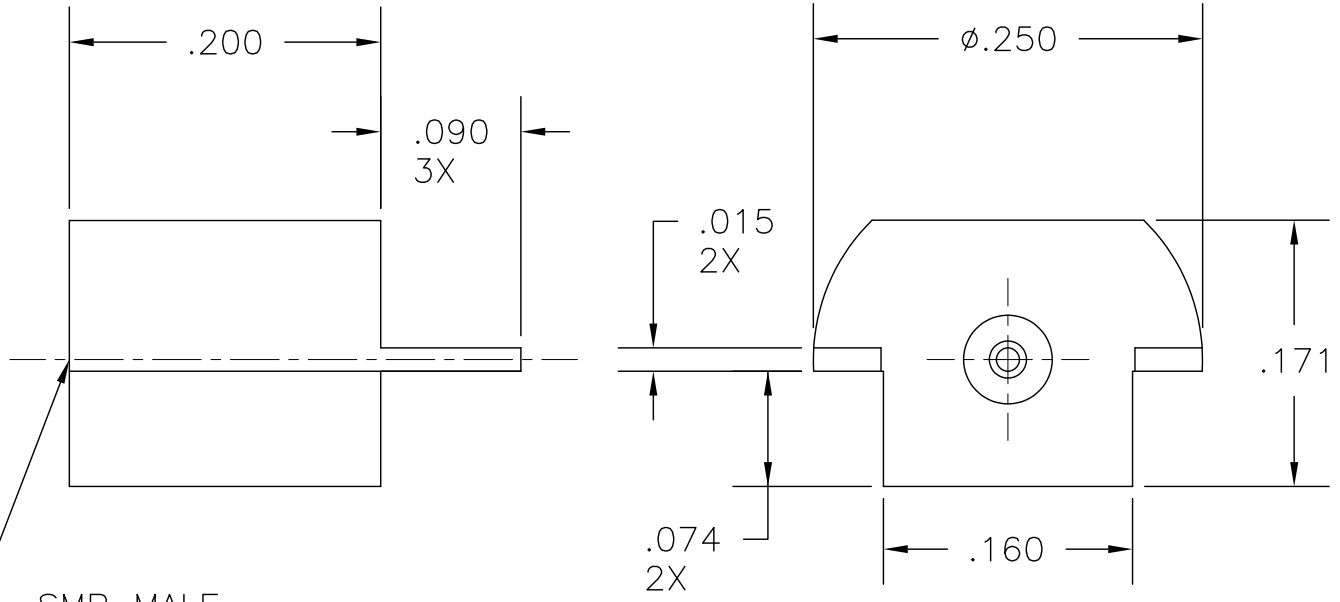


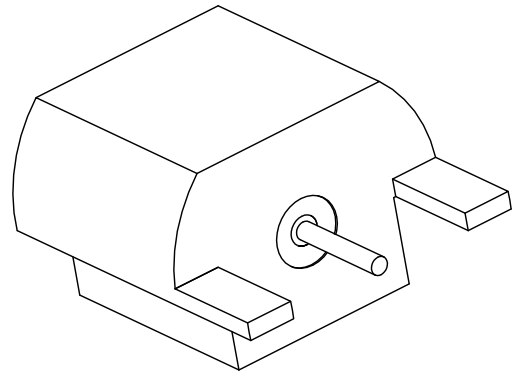
COMPONENT	MATERIAL AND FINISH	
HOUSING, CONTACT, INTERFACE BUSHING	BeCu, ASTM B196, UNS C17300	GOLD PLATE, MIL-G-45204, TYPE 1, GRADE C, CLASS 1
INSULATOR	PTFE, ASTM D1710, TYPE I, GRADE 1, CLASS A	

PART NO. MMSP-3805

OUTLINE DRAWING



SMP MALE
LIMITED DETENT
INTERFACE
PER MIL-STD-348



MICRO-MODE PRODUCTS, INC.
The Reliable Connection to the Future

El Cajon, CA 92020
ph 619.449.3844
www.micromode.com

CAGE CODE
15907

ASSY PROCEDURE: MMAP-10629	MMSP, MALE, LIMITED DETENT EDGE LAUNCH		
LOCATOR TOOL: N/A			
SHEET 1 OF 1	OL3805 9-21-00 JC	PART NO. MMSP-3805	REVISION E