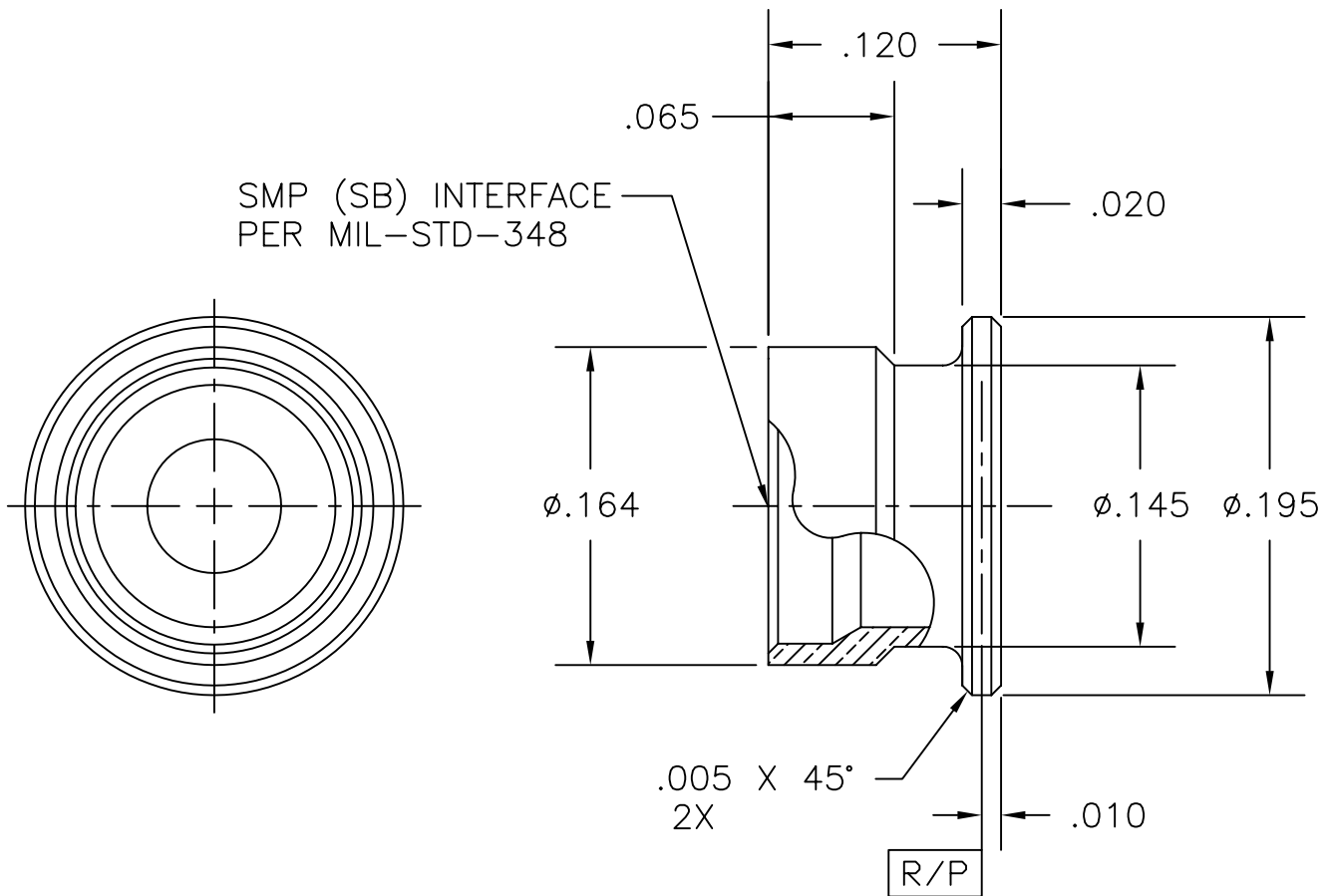


COMPONENT	MATERIAL AND FINISH	
SHROUD	BeCu, ASTM B196 UNS C17300	GOLD PLATE, MIL-G-45204 TYPE 1, GRADE C, CLASS 1

PART NO. MMSP-3214

OUTLINE DRAWING



MICRO-MODE PRODUCTS, INC.
The Reliable Connection to the Future

El Cajon, CA 92020 Peoria, AZ 85345
(619) 449-3844 (602) 334-8944

CAGE CODE
15907

ASSY PROCEDURES:	MMSP SOLDER-ON SHROUD, SMOOTH BORE	
INSERTION/EXTRACTION TOOL:		
SHEET 1 OF 1	OL3214 12-14-98 NK DR	PART NO. MMSP-3214
		REVISION A