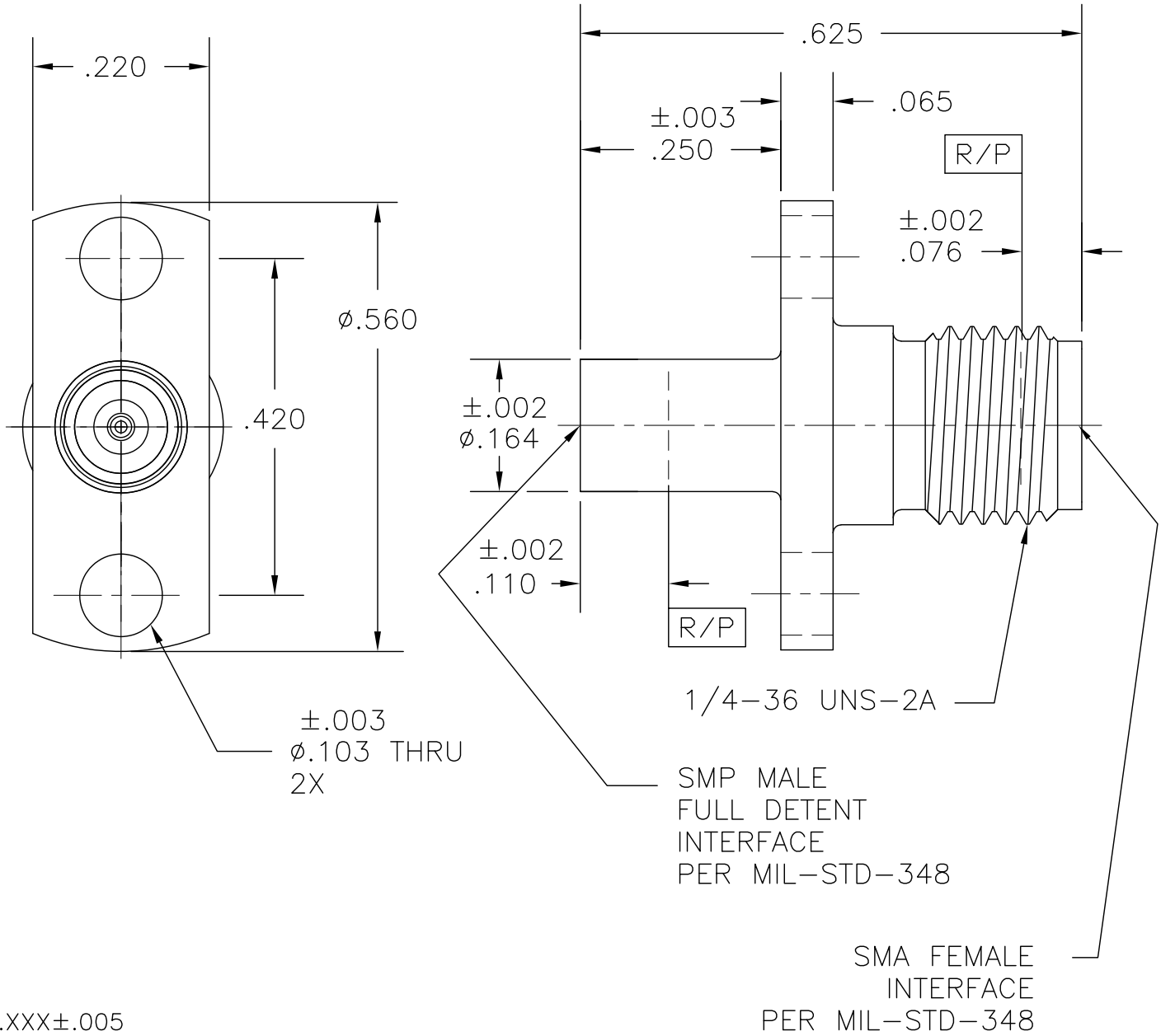



COMPONENT	MATERIAL AND FINISH	
CONTACT	BeCu, ASTM B196, UNS C17300	GOLD PLATE, MIL-G-45204, TYPE 1, GRADE C, CLASS 1
INSULATORS	PTFE, ASTM D1710, TYPE I, GRADE 1, CLASS A	
BODY	303 CRES, ASTM A582	PASSIVATE, QQ-P-35

PART NO. MADP-2606

OUTLINE DRAWING



.XXX $\pm$ .005

 <b>MICRO-MODE PRODUCTS, INC.</b> <i>The Reliable Connection to the Future</i>	El Cajon, CA 92020 ph 619.449.3844 www.micromode.com	CAGE CODE 15907
	ASSY PROCEDURES: N/A INSERTION/EXTRACTION TOOL: N/A	
SMP (M) FULL DETENT TO SMA (F) ADAPTER (2 HOLE FLANGE MOUNT)		PART NO. <b>MADP-2606</b>
SHEET 1 OF 1   OL2606 8-14-98 MM PC		REVISION <b>D</b>