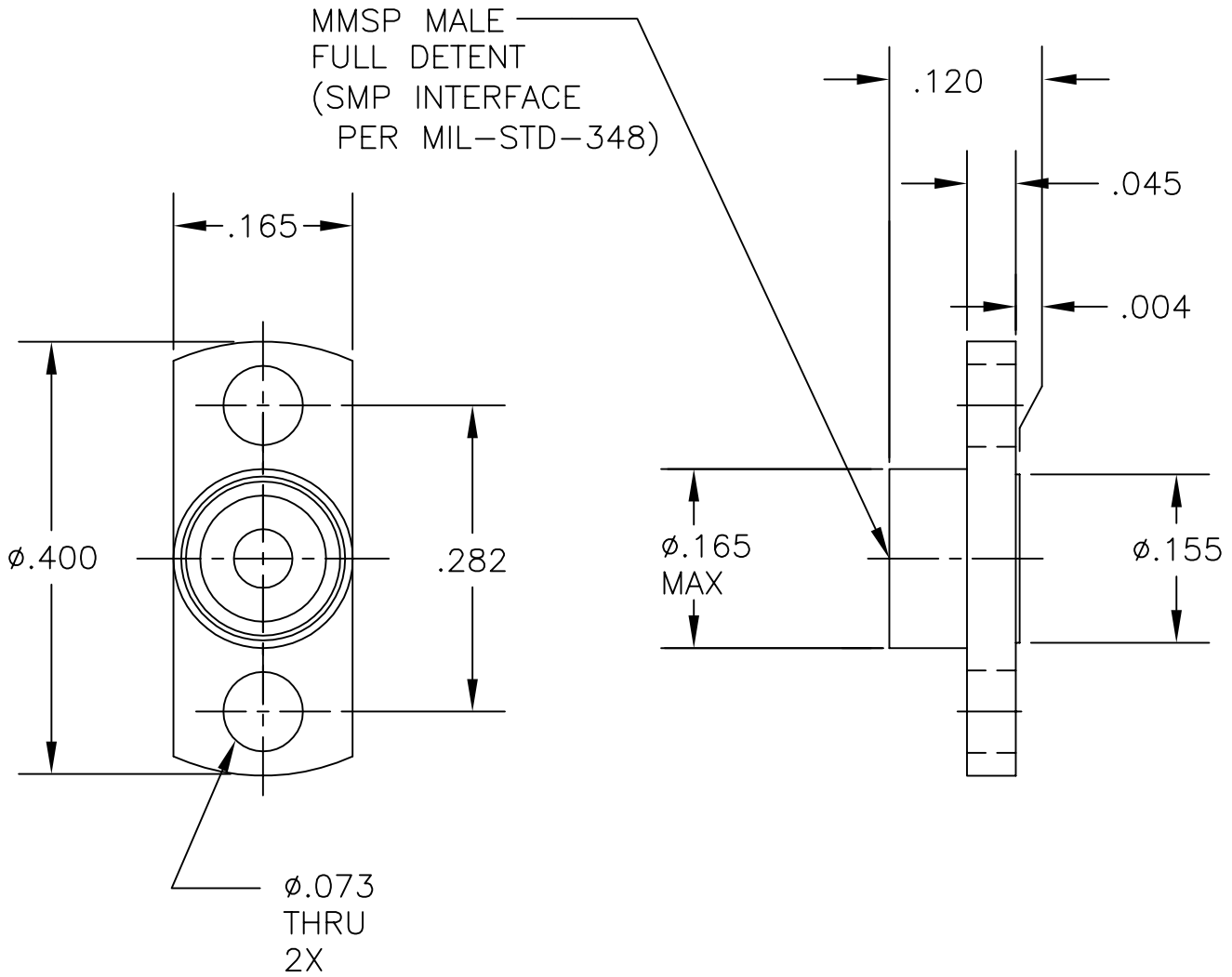


COMPONENT	MATERIAL AND FINISH	
SHROUD	303 CRES, ASTM A582	PASSIVATE, AMS-QQ-P-35

PART NO. MMSP-2514
OUTLINE DRAWING



MICRO-MODE PRODUCTS, INC.
The Reliable Connection to the Future

El Cajon, CA 92020
ph 619.449.3844
www.micromode.com

CAGE CODE
15907

ASSY PROCEDURES:

INSERTION/EXTRACTION TOOL:

MMSP, FULL DETENT SHROUD
.282 HOLE SPACING

PART NO.

REVISION

SHEET 1 OF 1 OL2514 4-9-98 MM PC

MMSP-2514

B