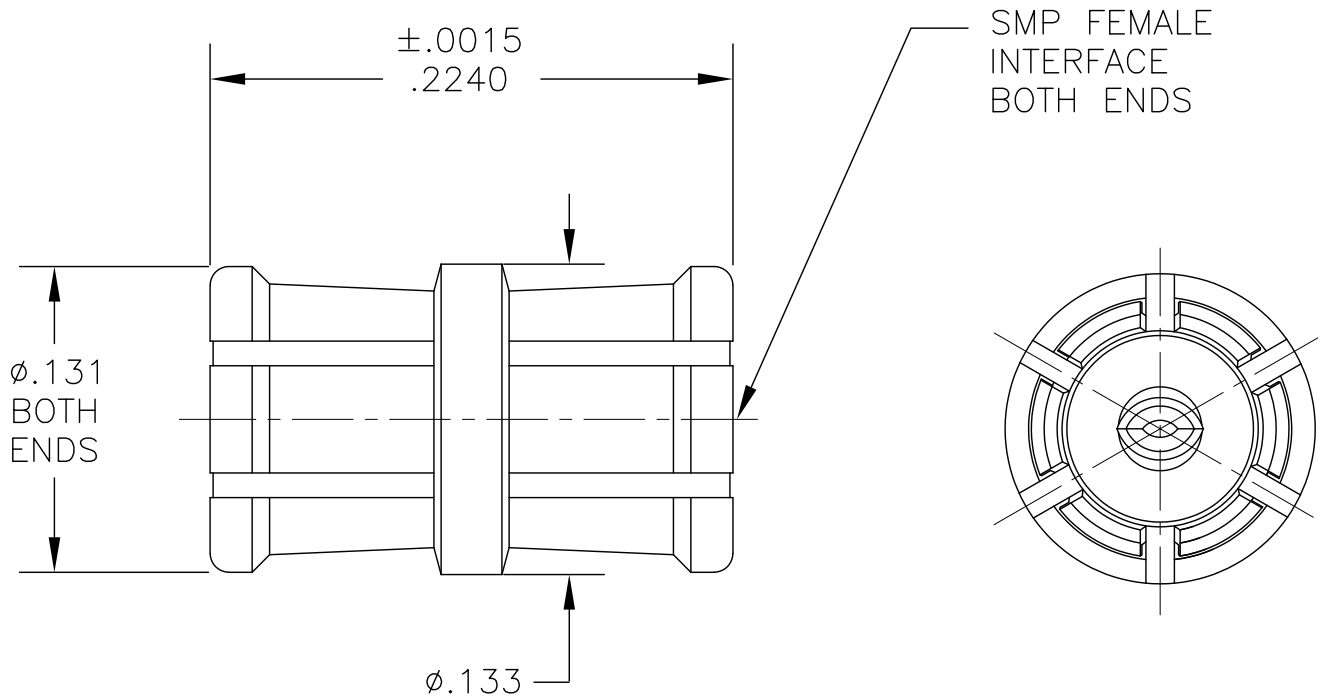


COMPONENT	MATERIAL AND FINISH	
BODY & CONTACT	BeCu, ASTM B196, UNS C17300	GOLD PLATE, MIL-DTL-45204, TYPE 1, GRADE C, CLASS 1
INSULATOR	PTFE, ASTM D1710, TYPE I, GRADE 1, CLASS A	

PART NO. MMSP-2504



OUTLINE DRAWING



MICRO-MODE PRODUCTS, INC.  
*The Reliable Connection to the Future*

El Cajon, CA 92020  
ph 619.449.3844  
www.micromode.com

CAGE CODE  
15907

ASSY PROCEDURES:		MMSP FEMALE	
INSERTION/EXTRACTION TOOL: MMTL-2680		BLINDMATE INTERCONNECT	
SHEET 1 OF 1    OL2504 4-9-98    MM PC		PART NO. <b>MMSP-2504</b>	REVISION <b>E</b>