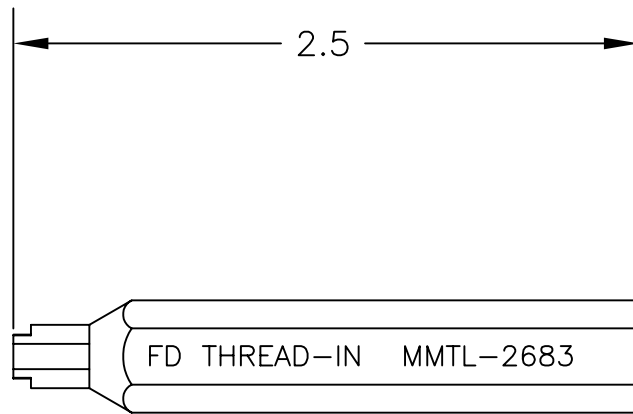
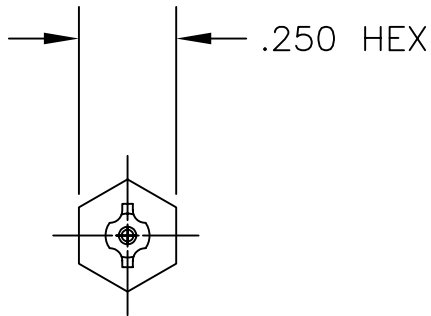


COMPONENT	MATERIAL AND FINISH
TOOL	17-4 STAINLESS STEEL PER ASTM A564

PART NO. MMTL-2683



OUTLINE DRAWING



MICRO-MODE PRODUCTS, INC.
The Reliable Connection to the Future

El Cajon, CA 92020
 ph 619.449.3844
 www.micromode.com

CAGE CODE
 15907

ASSY PROCEDURES: N/A	SHROUD INSTALLATION TOOL	
TOOLS: N/A	MMSP FULL DETENT, THREAD-IN	
	PART NO.	REVISION
SHEET 1 OF 1	OL2683 11-16-98 MP PC	MMTL-2683 B